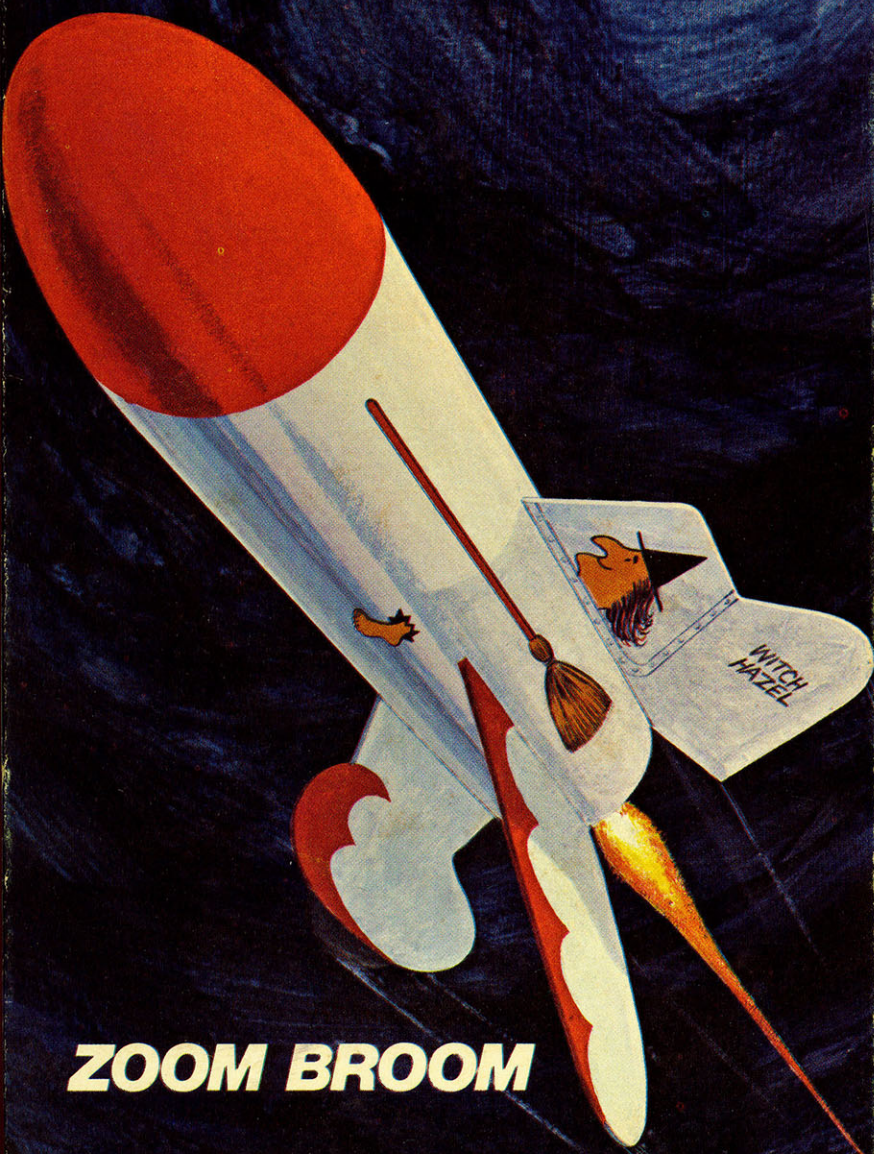




A SUBSIDIARY OF DAMON

GoonybirdTM SERIES



ZOOM BROOM

FLYING MODEL ROCKET KIT



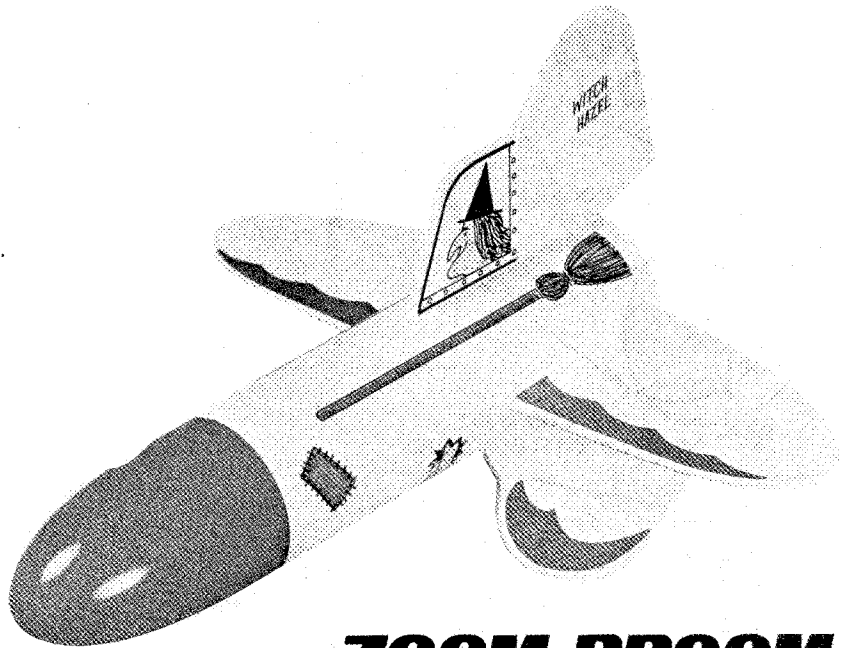
A SUBSIDIARY OF DAMON

Goonybird T.M.

PARTS LIST

KIT NO. 0853

- (A) 1 Body TubeBT-5BJ
- (B) 1 Engine HookEH-3
- (C) 1 Centering Rings.....RA-560
- (D) 1 Body TubeBT-60R
- (E) 1 Die-Cut Fin SheetBF-00853
- (F) 1 Launch LugLL-2A
- (G) 1 Shock Cord Mount.....SCM-50
- (H) 1 Shock Cord.....SC-1B
- (I) 1 Nose ConePNC-60L
- (J) 1 Nose Cone AdapterPNCA-60L
- (K) 1 Parachute
- (L) 1 Shroud LinePK-12
- (M) 1 Tape Discs (Strip of 6)
- (N) 1 Display Stand.....09014
- (O) 1 Engine Casing.....EC-8
- (P) 1 Decal Sheet 37353



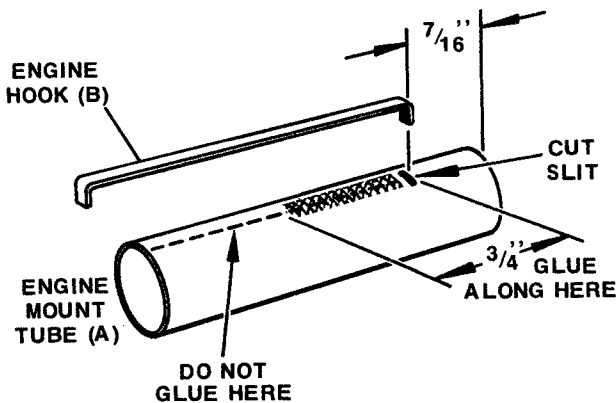
ZOOM BROOM Flying Model Rocket

WARRANTY: Goonybird model rockets are guaranteed by Estes Industries against manufacturing defects. Any part found defective will be repaired or replaced without charge providing the defective part is returned post-paid to Estes Industries, Customer Service Department, Penrose, Colorado 81240. For fastest service, please send only the defective part.

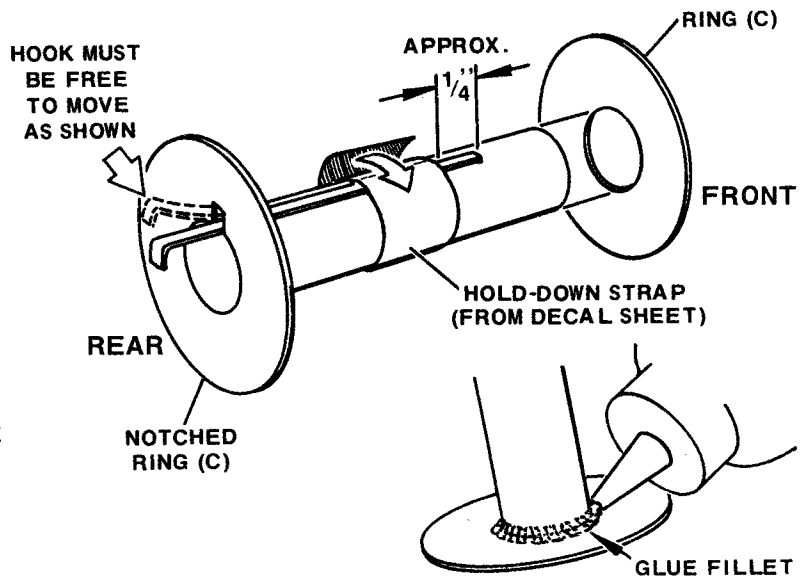
In addition to the materials included in this kit, you will also need: white glue, plastic cement, modeling knife, scissors, sanding sealer, medium and fine grit sandpaper, paint or dope. **IMPORTANT:** Use white glue for all balsa-body tube construction. Use only plastic cement for nose cone assembly.

CONSTRUCTION TIP: Why not have one of your parents or big brother or sister join in the fun of constructing your Goonybird? They are sure to have a great time, and their assistance will be helpful. Remember good construction is essential if you want your Goonybird to fly correctly. When launch day arrives have the whole family take part in the excitement and fun of launch preparation, countdown, tracking, and recovery. It's a real thrill for everyone to watch your Goonybird lift off and return gently to earth ready for another freaky flight. A "well-constructed" Goonybird will bring you many hours of family fun and enjoyment.

1 THE ENGINE THING

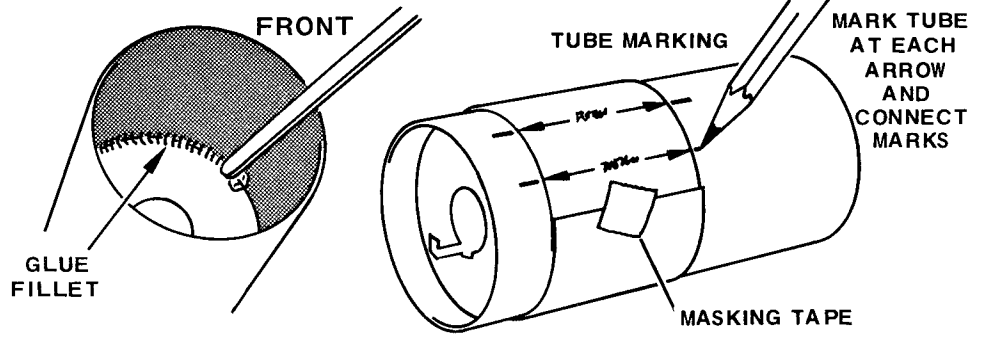
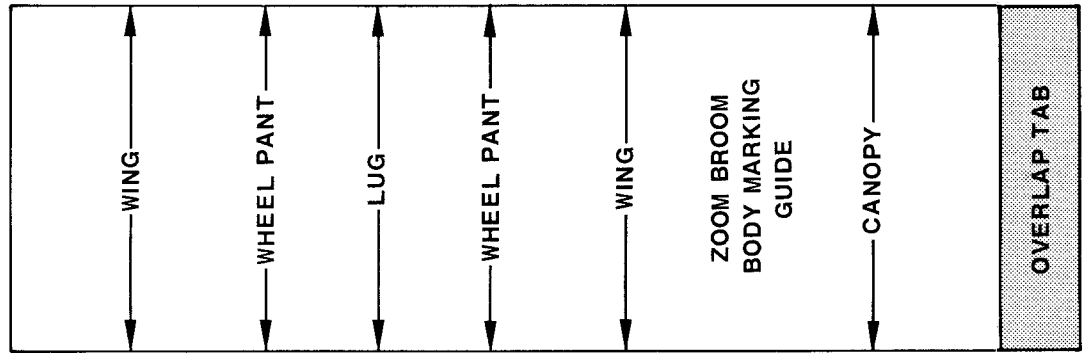
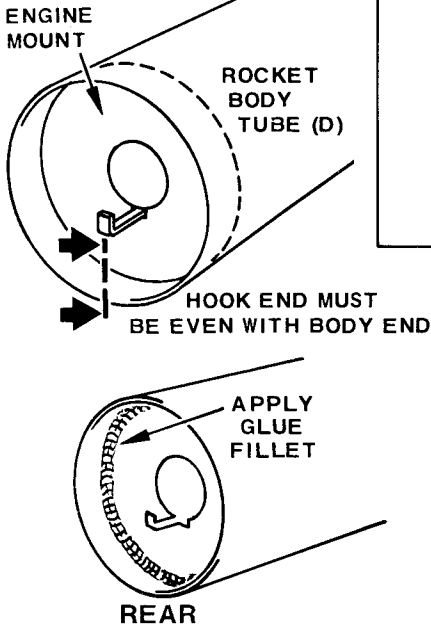


Cut a 1/8" slit in the engine mount tube, 7/16" from one end. Apply a drop of white glue to the slit and also straight along the tube for approximately 3/4". Push one end of the metal engine hook into the slit. Press the hook into the glue and align straight along the tube. Wipe away any excess glue.



Tightly wrap the hold-down strap (from decal sheet) around the hook and tube as shown. Center the notched paper ring over the hook and glue to the tube REAR. Hook must be free to move as shown. Glue the other ring to the front of the tube. Run lines of glue (known as "glue fillets") around the front and rear ring/tube joints. Allow mount assembly to dry completely.

2 GROOVE ON



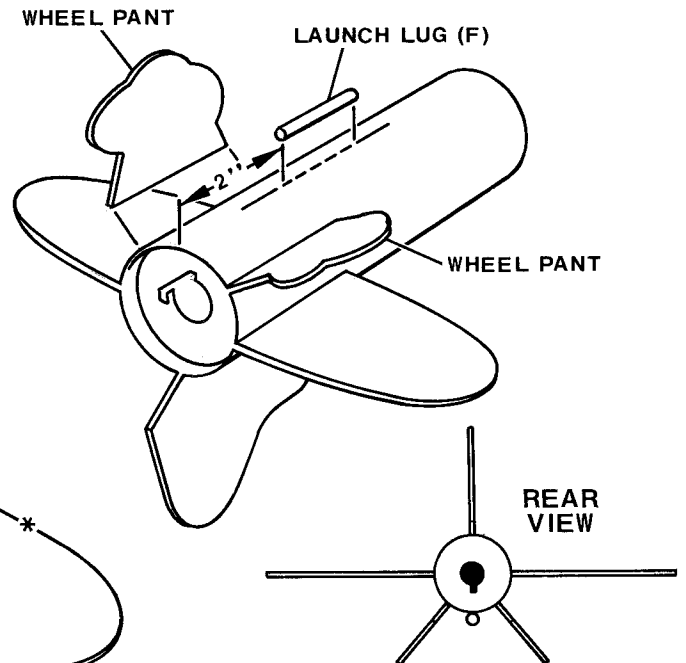
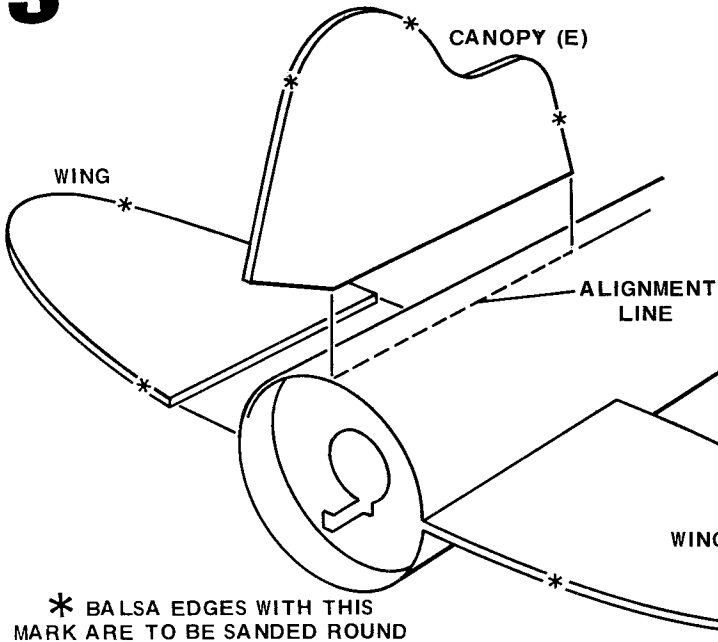
Insert engine mount into the rocket body tube. End of metal engine hook **MUST** be even with body tube end. (For quickest alignment, simply press body tube end against table top and engine mount will automatically move forward to align with tube end.)

Apply a line of glue, or "fillet", around the REAR ring/tube joint. Apply a glue fillet also to the FRONT ring/tube joint. A stir stick, soda straw, or paint brush

will be helpful to apply glue inside body tube.

Cut out the body tube marking guide from the instruction sheet. Wrap it around the rear of the tube so its ends match. Temporarily tape the guide in place. Mark the tube at each arrow point. Remove the guide and draw straight lines connecting matching front and rear marks. Draw the launch lug line forward the length of the tube.

3 WINGS AND THINGS



Sand round all balsa part edges as noted by this mark (*) in drawing. (You may wish to sand sides smooth before removing pieces from sheet.)

Apply glue to the "body tube edge" of the canopy and glue it to the body rear on its alignment line as shown. Adjust canopy so that it sticks straight away from the body and allow the glue to set. Apply glue to the "body edge" of one wing and glue it to the body on its

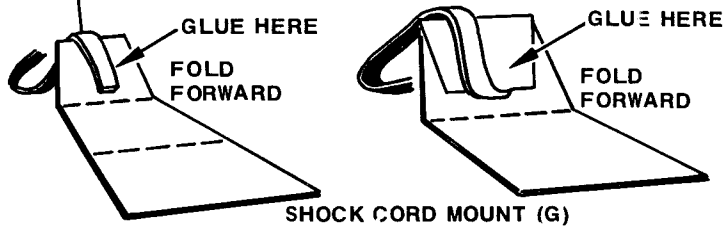
line. The wing must be even with the tube end as illustrated. Glue the other wing to the opposite side of the body.

Glue the two wheel pant pieces to the body on their alignment lines. They too, must be even with the tube end.

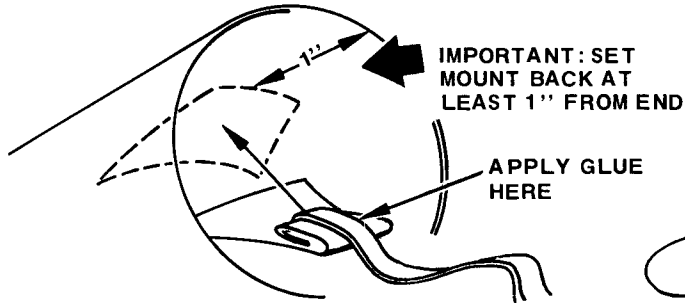
Glue the launch lug to the body on its line, 2" from the tube rear.

4 RECOVERY STUFF

SHOCK CORD (H)

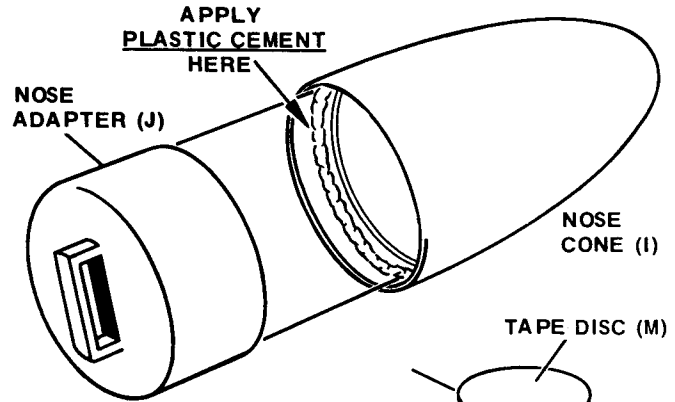


SHOCK CORD MOUNT (G)



IMPORTANT: SET MOUNT BACK AT LEAST 1" FROM END

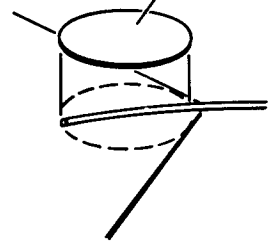
APPLY GLUE HERE



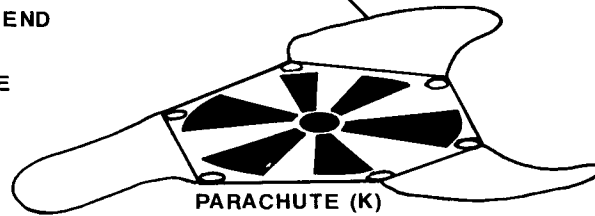
NOSE ADAPTER (J)

NOSE CONE (I)

TAPE DISC (M)



SHROUD LINE (L)



PARACHUTE (K)

Cut out the shock cord mount and prefold along dotted lines. Apply glue to section 1 and lay shock cord end into glue. Fold this first section over. Spread glue over back of first section and exposed part of section 2. Lay shock cord as shown and fold over again. Clamp the unit together with your fingers until the glue sets. Apply glue to the mount as illustrated. Press the mount into position against the tube wall and hold it until the glue sets.

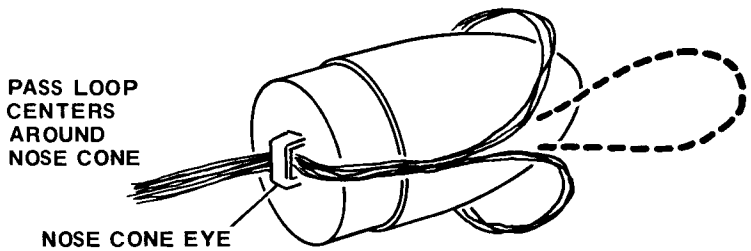
Trim away any excess plastic from the two nose cone pieces. Run a line of PLASTIC CEMENT around the nose cone just inside from the end. Push the adapter piece firmly into the nose cone until it stops.

Cut out the parachute on the edge lines marked on the plastic. Cut the shroud line into three equal lengths. Attach the line ends to the 'chute corners with tape discs as shown.

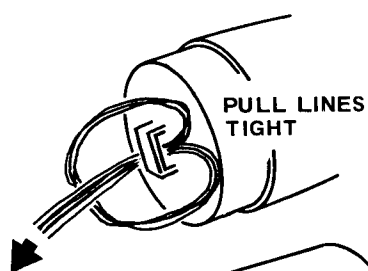
5 GETTING IT ALL TOGETHER

PASS LOOP CENTERS AROUND NOSE CONE

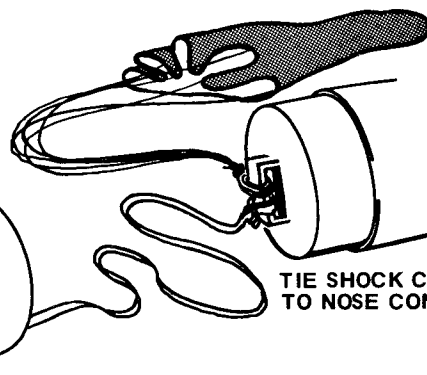
NOSE CONE EYE



PULL LINES TIGHT



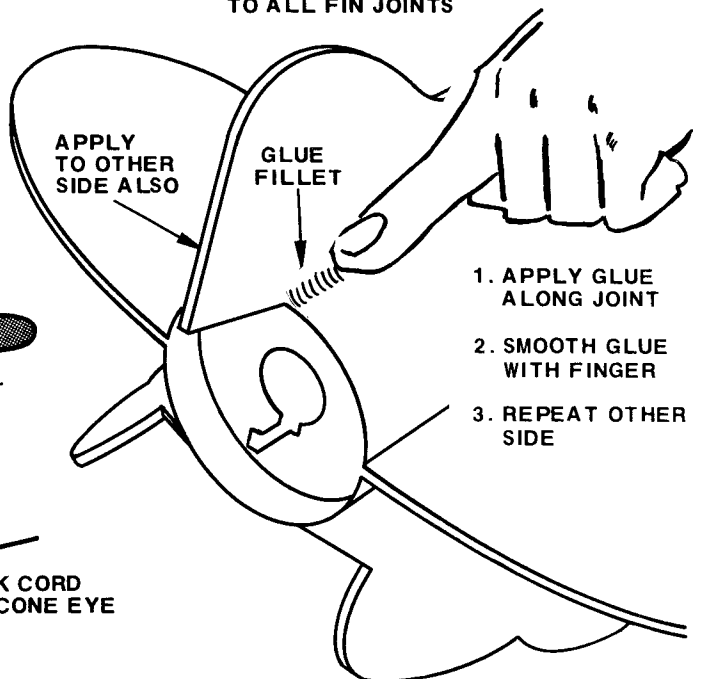
TIE SHOCK CORD TO NOSE CONE EYE



APPLY GLUE FILLETS TO ALL FIN JOINTS

APPLY TO OTHER SIDE ALSO

GLUE FILLET



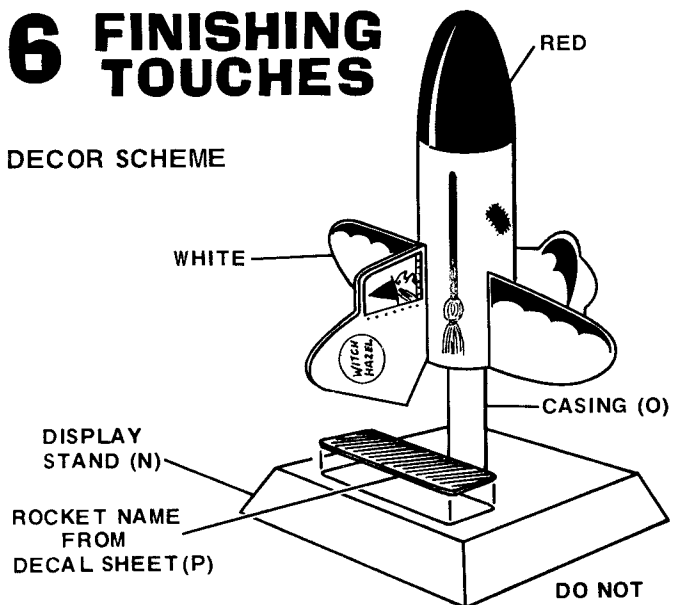
1. APPLY GLUE ALONG JOINT
2. SMOOTH GLUE WITH FINGER
3. REPEAT OTHER SIDE

Pass the shroud line loop "centers" through the nose cone "eye". Now pass the loop centers around the nose cone as shown and pull lines tight to secure parachute. Tie the shock cord to the nose cone "eye".

Apply a "glue fillet" to both sides of each fin/body joint. After applying glue, smooth fillet with finger. Fillet should then be smooth and bubble-free. Allow glue fillets to dry several minutes before proceeding to next fin joint. Support model horizontally while the glue dries.

6 FINISHING TOUCHES

DECOR SCHEME



NOTE: Use only enamel paint for nose cone.
Dope paint will damage plastic surface.

Apply two or more coats of sanding sealer to all balsa surfaces. Sand lightly with extra-fine sandpaper between coats. Repeat until all wood pores are filled and the surfaces are smooth.

Spray the rocket body with a light base coat of white enamel paint and allow to dry. Apply a light finish coat of white. Paint the nose cone red.

After the paint has dried overnight, apply the stick-on decals as shown in the instructions and decor scheme illustration.

Assemble the model display stand as directed in the instructions on the back of the stand.

EASY STEPS TO LAUNCH YOUR ROCKET

1. WHAT YOU WILL NEED:

To fly your Goonybird you will need the following items not included in this kit:

- a. Estes model rocket engines and igniters 1/2A3-2T, A3-4T, A10-3T engines or Estes Firing Line Relaunching Components No. 0709.
- b. Recovery wadding RP-1A
- c. Launching system Estes Firing Line Launcher #0702; or Solar Launcher, Solar Igniters and Porta-Pad Tripod.

See your local Estes retailer or fill out the enclosed request card for more information on model rocketry and Goonybird launching supplies.

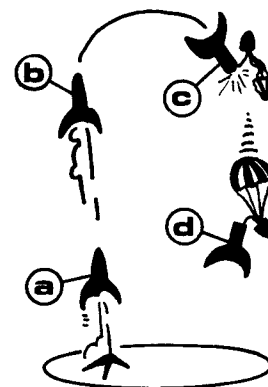
2. WHERE TO LAUNCH:

Goonybird rockets are ideal for small cleared areas away from buildings, power lines or tall trees. Choose a field at least 100 feet in diameter. A neighborhood park or baseball diamond will serve quite nicely. Other suitable sites are school yards, football fields or large parking lots.

3. ROCKET FLIGHT PROFILE:

A typical model rocket flight is shown at right:

- a. Ignition and lift-off.
- b. Acceleration and coasting.
- c. Parachute deployment.
- d. Recovery and touch-down.



Your rocket may be flown many times. Simply discard used engine and replace with new engine, igniter and recovery wadding as instructed.

4. Follow the COUNTDOWN CHECKLIST below for each flight.

COUNTDOWN CHECKLIST

12. Crumple four squares of recovery wadding very loosely and pack them into the rocket body from the front. Gather the parachute into a triangular shape. Fold the 'chute as shown and wrap the shroud lines loosely around it. (For maximum opening reliability, lightly dust the 'chute with ordinary talcum powder before each flight, especially in colder weather.)

11. Pack parachute, shock cord and shroud lines neatly into the rocket and slide nose cone into place. Nose cone should separate easily from rocket body tube, but not be extremely loose. If fit is too tight, sand inside of body tube end and shoulder of nose cone with fine sandpaper.

If nose cone is too loose, add a wrapping of transparent tape or masking tape to the shoulder of the nose cone.

10. Select an engine and install an igniter as directed in the engine instructions. (Use A3-4T engines for first flights.) Insert engine into rocket.

9. Remove key from launch panel.

8. Slide rocket onto the launching rod. Clean the micro-clips and attach them to the igniter.

7. Alert all personnel that rocket is ready for launch.

6. Arm the launch panel.

Begin Final Countdown: **5-4-3-2-1 BLAST-OFF!**

FORM 'CHUTE INTO 'SPIKE' SHAPE



FOLD AS SHOWN



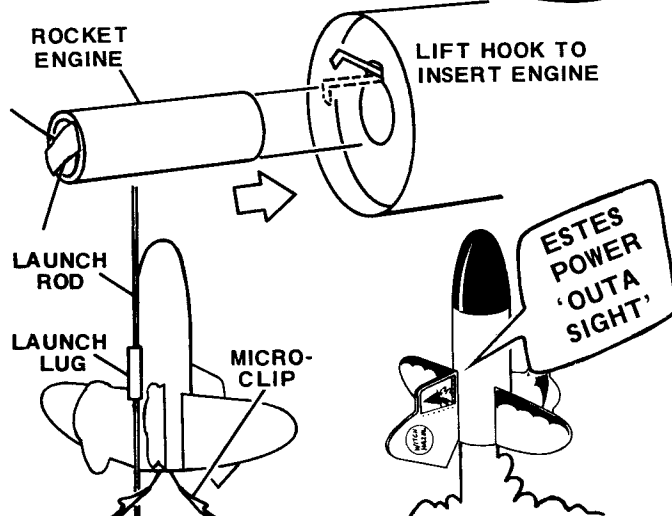
WADDING



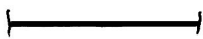
WRAP 'CHUTE LINES

ROCKET ENGINE

LIFT HOOK TO INSERT ENGINE



ESTES INDUSTRIES, PENROSE, COLORADO 81240



1 INCH

BF-00853



32265

FRONT

WHEEL PANT

BODY TUBE EDGE

BODY TUBE EDGE

WHEEL PANT

FRONT

BODY TUBE EDGE

FRONT

WING

WING

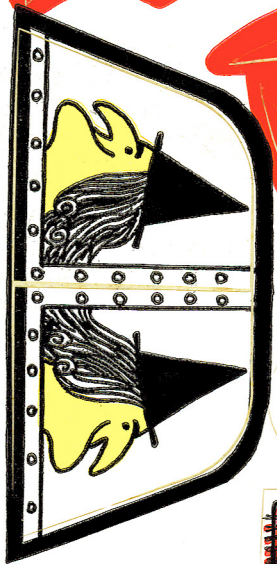
FRONT

BODY TUBE EDGE

CANOPY

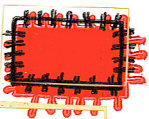
FRONT

BODY TUBE EDGE



WITCH
HAZEL

WITCH
HAZEL



Zoom Broom

37353

HOLD-DOWN STRAP

