

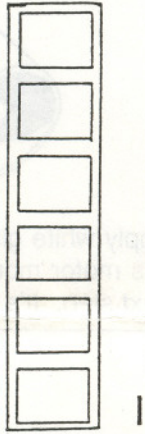
Dynamic Carrier ^{T.M.}

I N S T R U C T I O N S

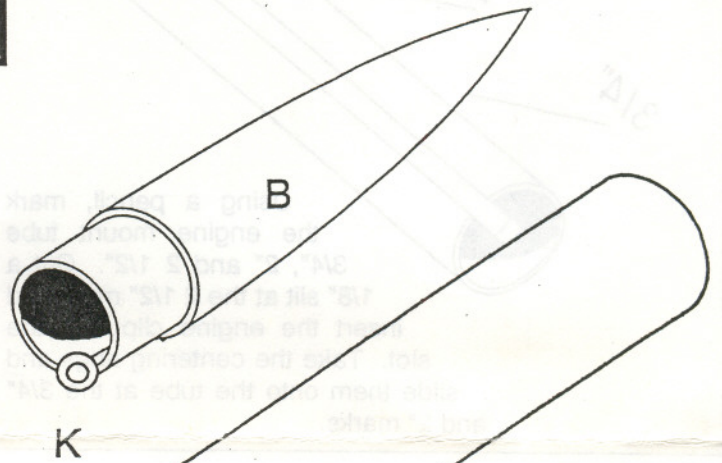
©1993 Custom Rocket Company



H

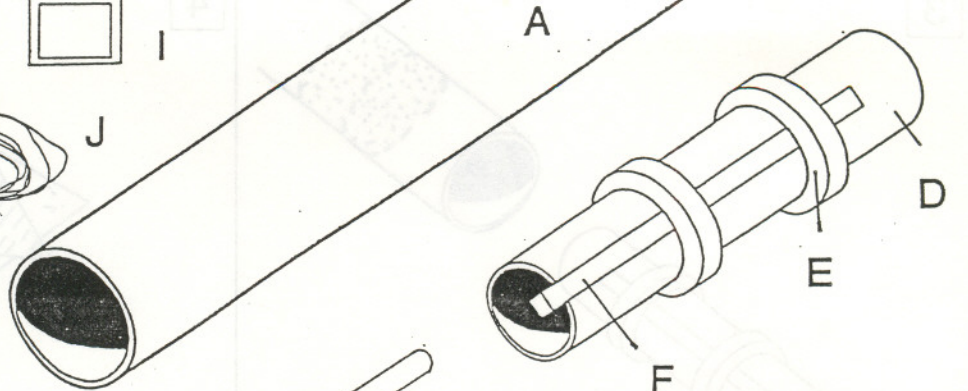


I

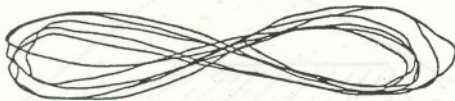


B

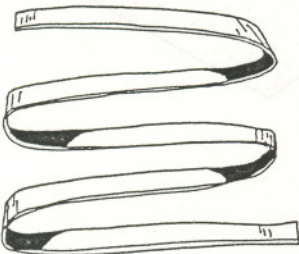
K



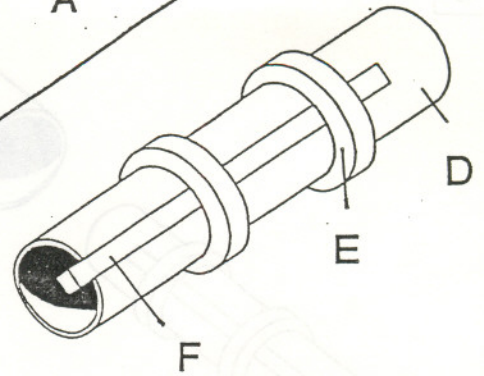
A



J



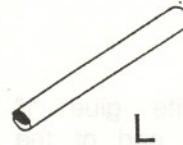
G



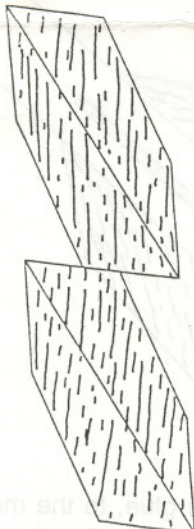
D

E

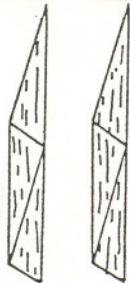
F



L



C

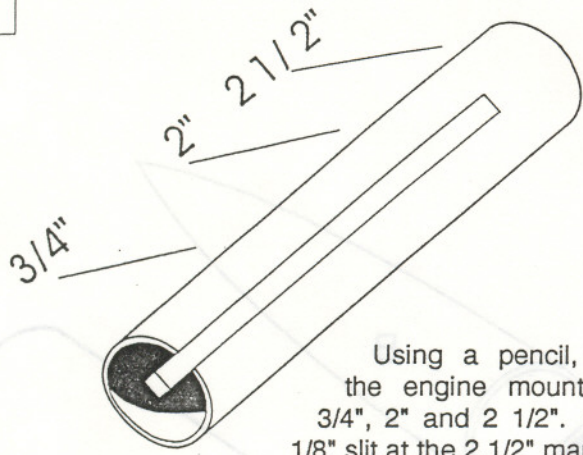


O

A	Body Tube (18")	(MT-5518)
B	Nose Cone	(PC-55)
C	Balsa #1	(BAL10021-1)
D	Engine Tube	(ET-20)
E	Centering Ring (2)	(CR-2055)
F	Engine Clip	(EC-2)
G	Shock Cord	(SC-1)
H	Parachute	(PK-18)
I	Tape Disk	(TD-6)
J	Shroud Lines	(SL-96)
K	Screw Eye	(SE-1)
L	Launch Lug	(LUG125)
M	Decals #1*	(D10021-1)
N	Decals #2*	(D10021-2)
O	Balsa #2 (2)	(BAL10021-2)
P	Dowel*	(DOWEL10021)
Q	Template*	(TEM10021)

*Items not shown

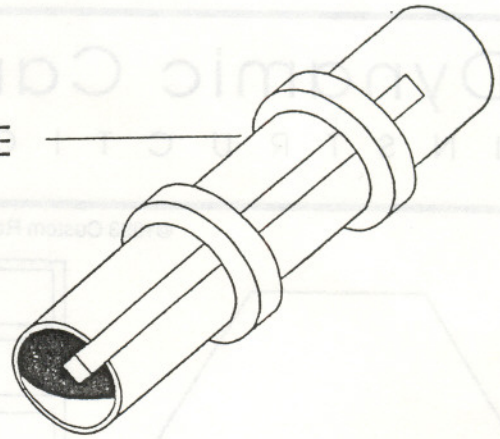
1



Using a pencil, mark the engine mount tube 3/4", 2" and 2 1/2". Cut a 1/8" slit at the 2 1/2" mark and insert the engine clip into the slot. Take the centering rings and slide them onto the tube at the 3/4" and 2" marks.

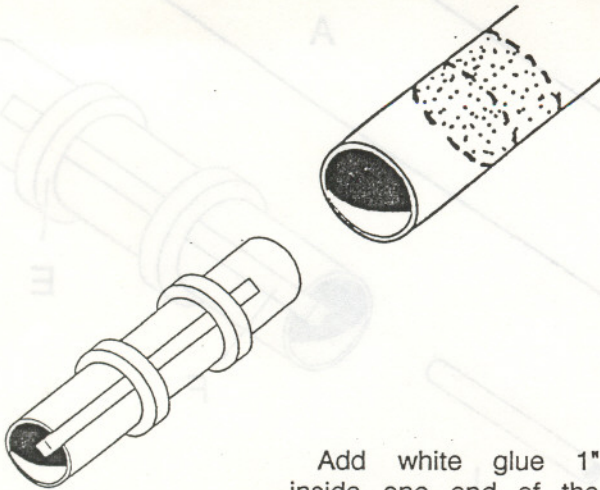
2

GLUE



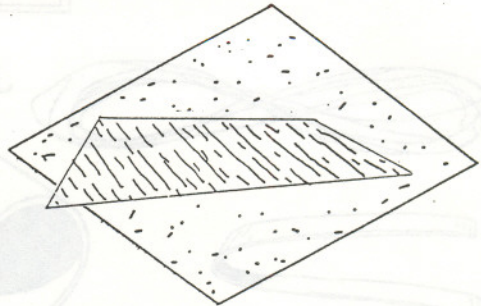
Apply white glue to the joints on all of the rings. Let this motor mount completely dry before going to the next step. It's very important not to rush this step!

3



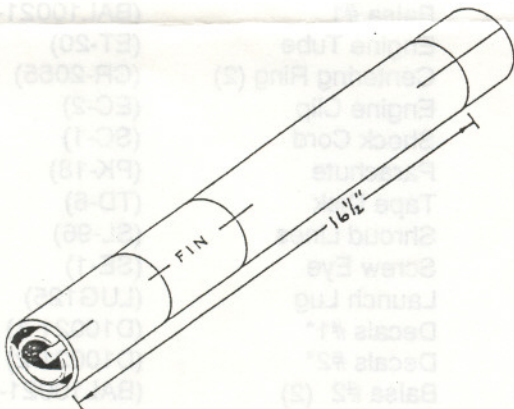
Add white glue 1" inside one end of the body tube. Insert the motor mount until both tube ends are flush.

4



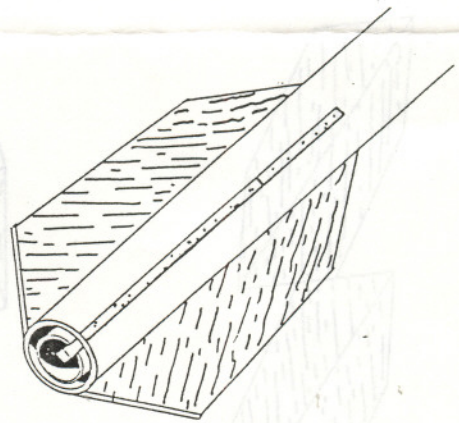
Cut and sand the balsa with fine sandpaper.

5



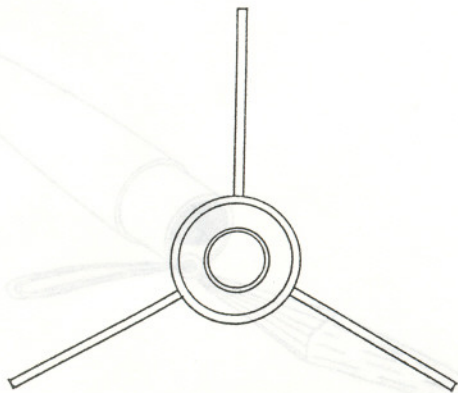
Cut out the fin placement guide from the template sheet. Wrap the guide around the tube and mark the locations on the tube. Measure 16 1/2" and mark on the tube; this is where the top fins will go.

6



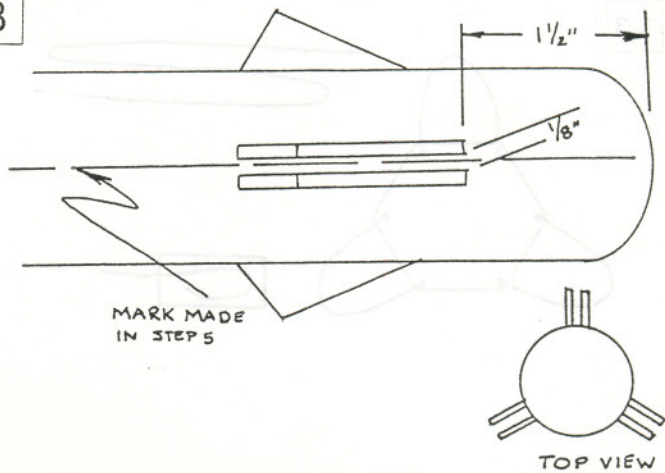
Glue the three fins, with white glue, to the marks on the body tube. Notice the grain direction in the drawing.

7



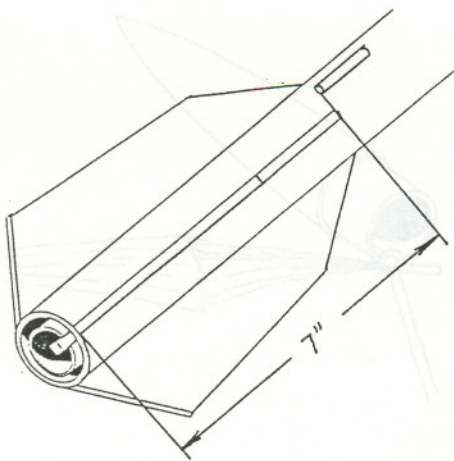
This is how the end view should look.

8



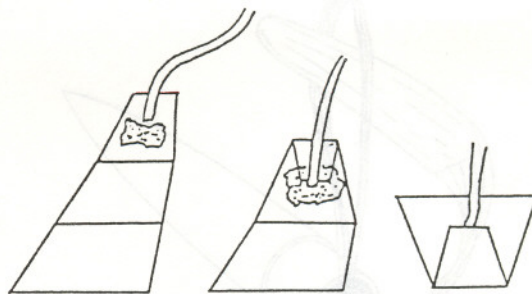
Glue the top fins to the body tube $1/8$ " apart and $1\ 1/2$ " from the end. Notice the top view in the drawing.

9



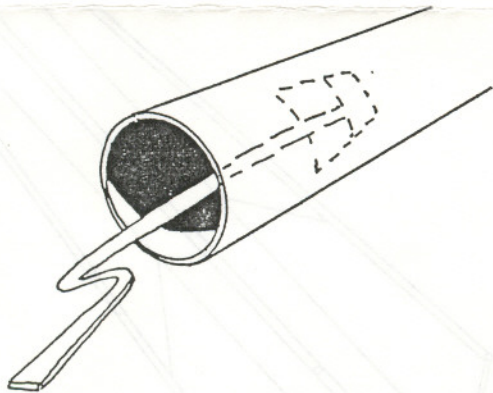
Glue the launch lug 7" from the end of the tube between the two fins.

10



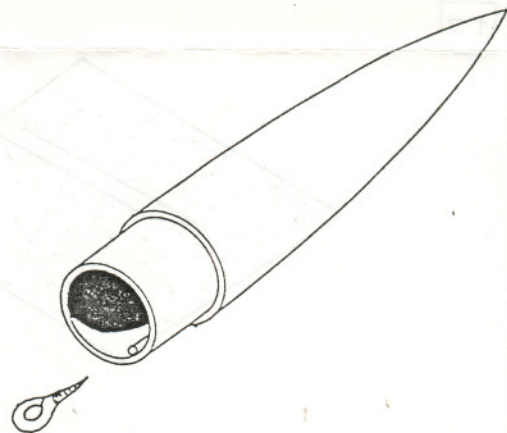
A. Cut out the shock cord mount and apply glue to section 1. Lay the end of the shock cord into the glue.
B. Fold section 1 at the fold line and squeeze with your fingers.
C. Apply glue to the back of section 1 and fold to section 3. Put complete assembly under a heavy object.

11



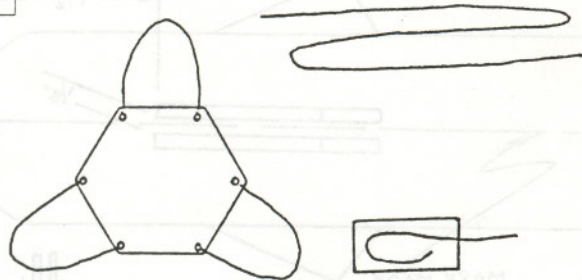
Glue the shock cord mount inside the front of the body tube 1" from the end. Hold the mount until it dries.

12



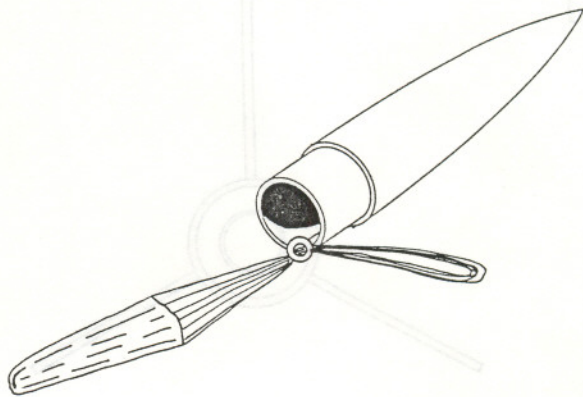
Screw the screw eye into the nose cone.

13



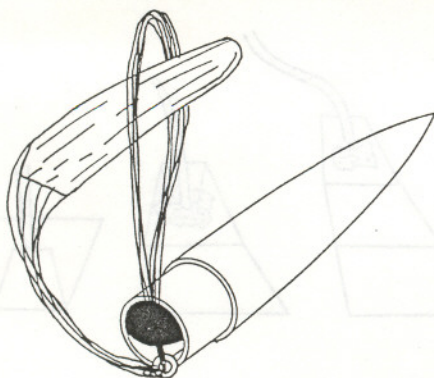
- A Cut the shroud line into three equal parts.
 B Attach the end of the shrouds to the tape disks.
 C Tape the disks to the parachute as shown.

14



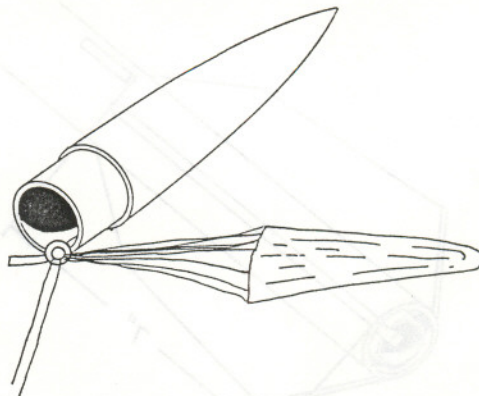
Thread the shroud line loops through the screw eye.

15



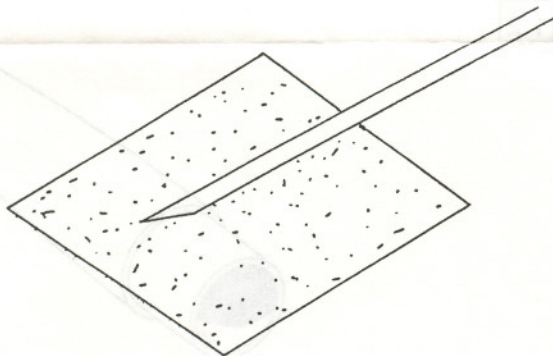
Take the loop ends and pass the parachute through.
 Pull the parachute tight.

16



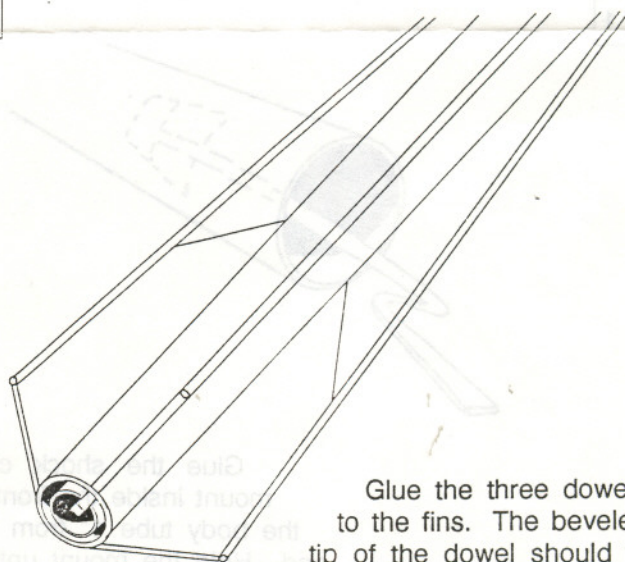
Tie the end of the shock cord to the screw eye.

17



Trim the dowel so that it is 15 1/4" long. Test fit the dowel to the rocket. Bevel the tips of the dowel.

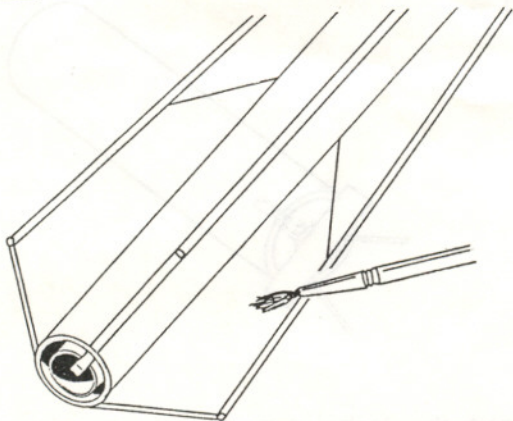
18



Glue the three dowels to the fins. The beveled tip of the dowel should fit between the fins at the top.

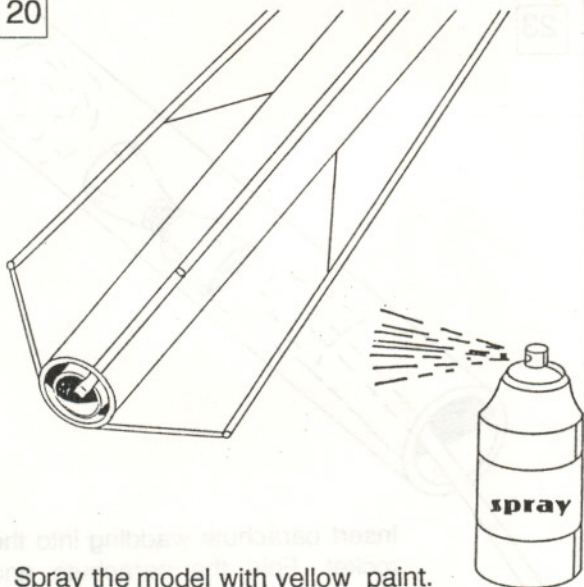
19

Dynamic Carrier Cont.



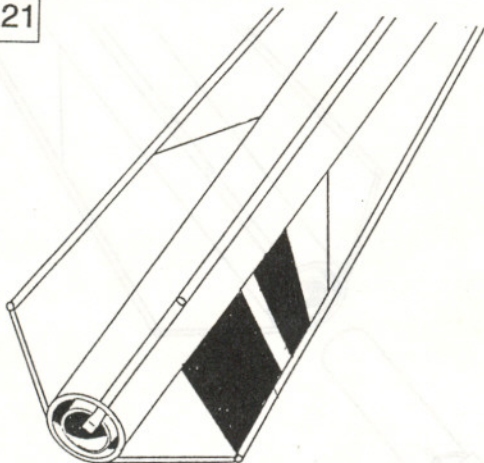
Apply sanding sealer to all the fins and sand with fine sandpaper. Repeat until all the grain is filled.

20



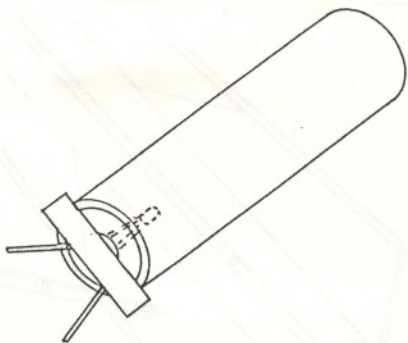
Spray the model with yellow paint.

21



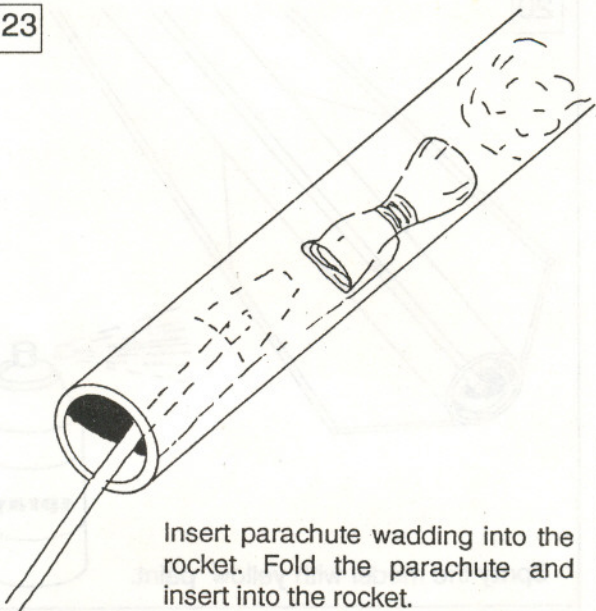
Dip the decals in water for 30 seconds and slide them onto the model.

22



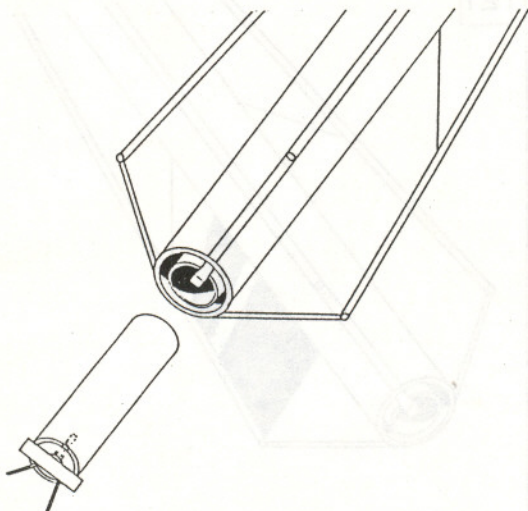
Insert the igniter into the recommended engine (recommended engines are shown in the catalog, or on the packaging). Tape or use an igniter plug to keep the igniter in the engine.

23



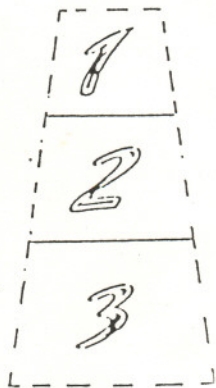
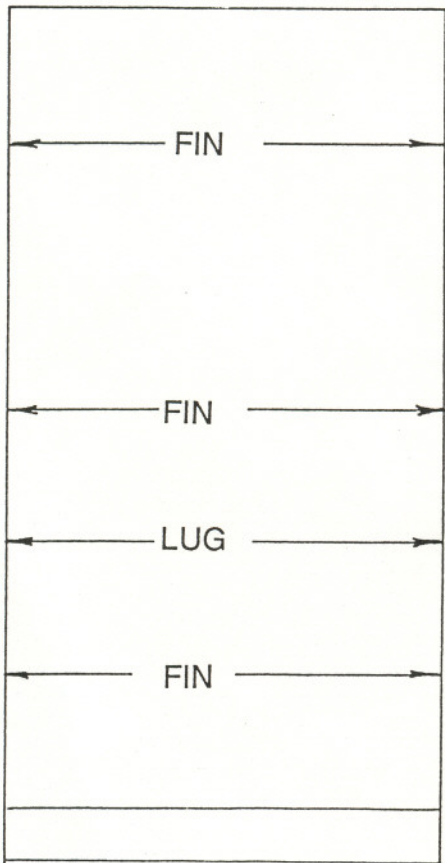
Insert parachute wadding into the rocket. Fold the parachute and insert into the rocket.

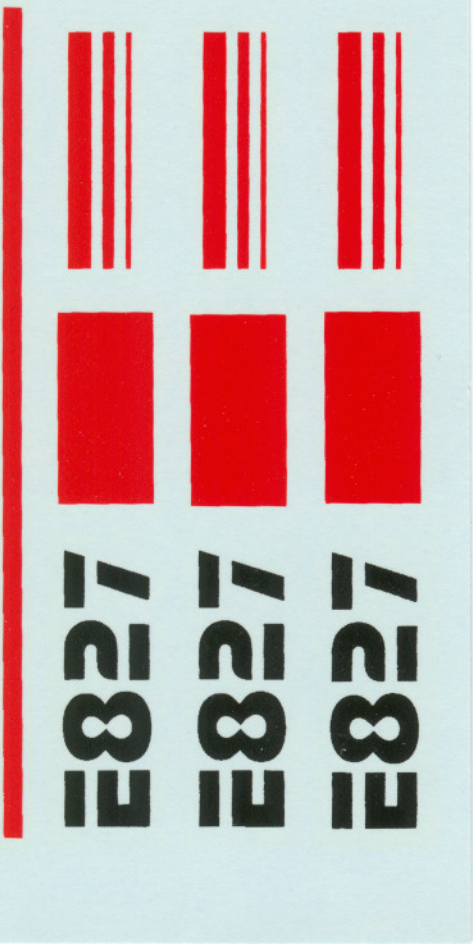
24



Insert the engine into the rocket. Slide the launch lug over the launch pad and hook up the igniter clips to the igniter.

Dynamic Carrier Template





TODAY



Dynamic ^{T.M.} Carrier

Flying Model Rocket

3
Skill Level

- Large futuristic model
- Huge three color decals
- Parachute





Length 23.50" (59.7 cm)
Dia.: 1.325" (33.7 mm)
Wt.: 2.0 oz (57 g)
Engines: B4-2, B4-4, B6-4,
B8-5, C6-5



T.M.

 **CUSTOM**

Product No. 10021