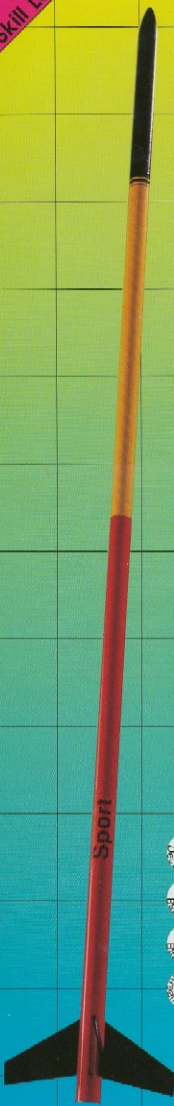


# Sport<sup>TM</sup>

Flying Model Rocket

**1**  
Skill Level



Length 19.5" (49.5cm)  
Dia. 0.738" (18.7mm)  
Wt. 1.0 oz (28g)  
Engines: A8-3,  
B4-2, B4-4, B5-4,  
C6-5

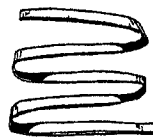


**CUSTOM**

Product No. 10003

# Sport<sup>T.M.</sup>

## INSTRUCTIONS



A

©1993 CUSTOM ROCKET CO.

A	BODY TUBE (2)	(MT-20)
B	NOSECONE	(BC-20)
O	BALSA	(BAL 10003)
D	TUBE COUPLER	(TJ-20)
E	SCREW EYE	(SE-2)
F	LAUNCH LUG	(LUG125)
G	STREAMER	(STMR10003)
H	DECAL*	(D10003)
I	TEMPLATE*	(TEM-10003)
J	SHOCK CORD	(SC-1)
K	SHROUD LINE	(SL-12)
L	ENGINE BLOCK	(EB-20)
M	TAPE DISK	(TD-1)
	*ITEMS NOT SHOWN	



B



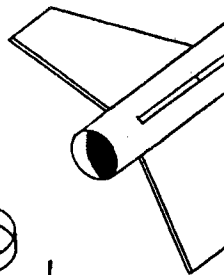
G



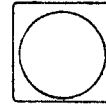
F



K



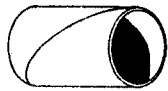
C



M



E

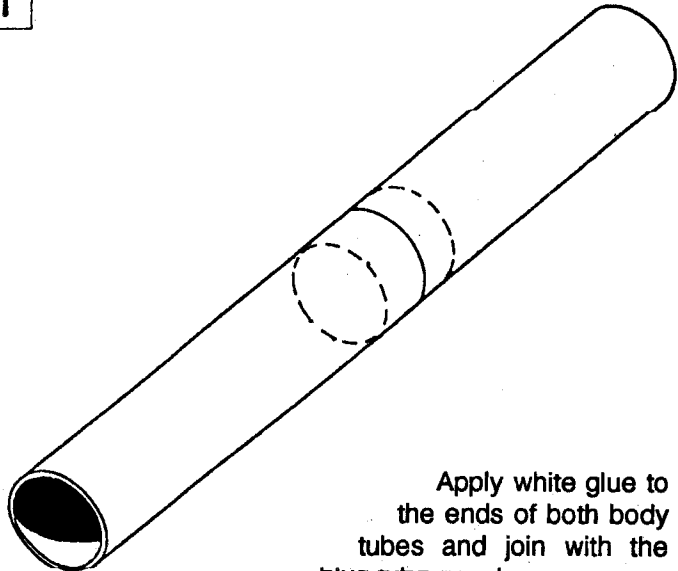


D



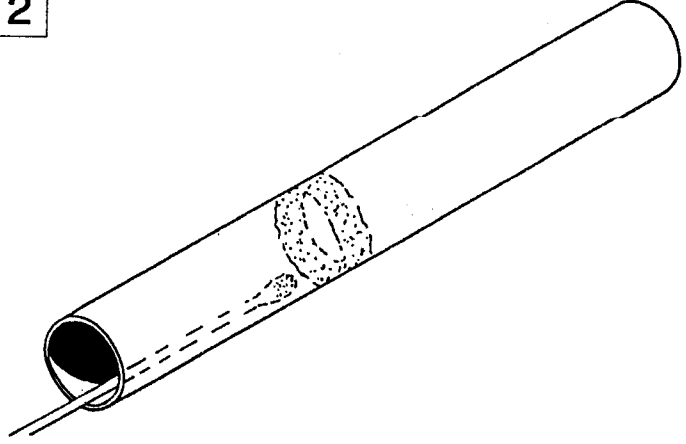
L

1



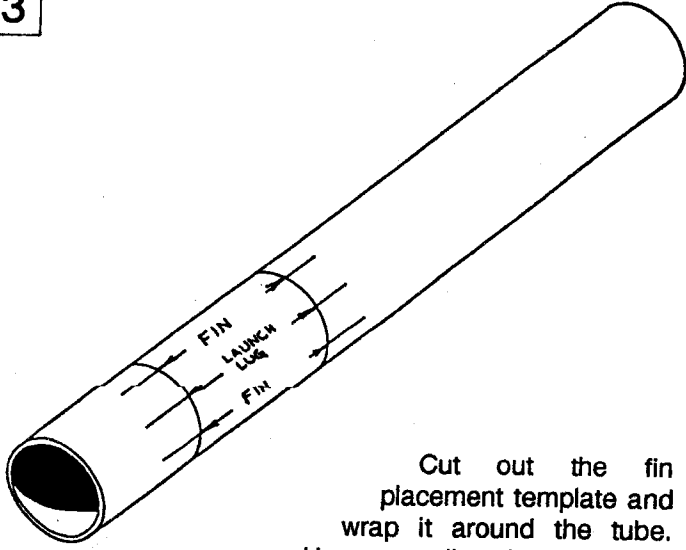
Apply white glue to the ends of both body tubes and join with the blue tube coupler.

2



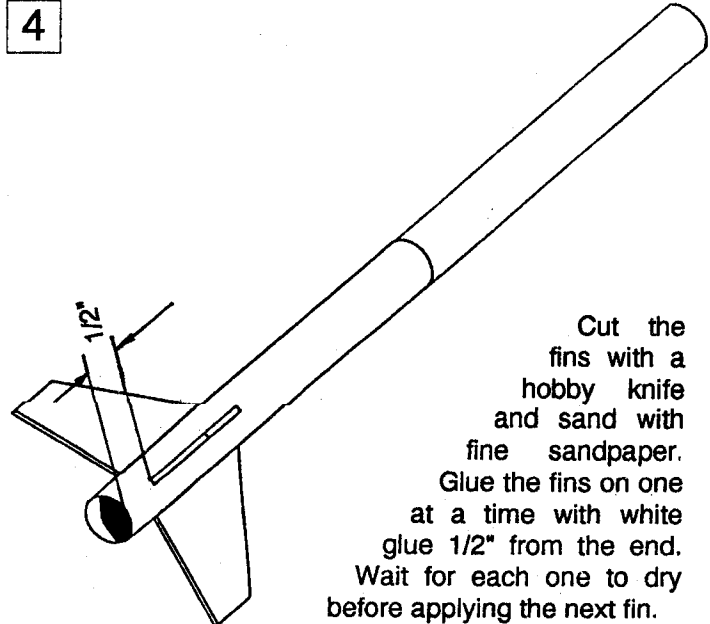
Apply glue with a Q-tip to the inside of the body tube 2 1/2" from the end. Use a used engine (not included) to push the engine block, so it meets the glue. Push the engine block until 1/4" of the engine is still showing and then quickly pull the engine out.

3



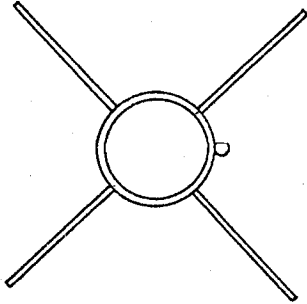
Cut out the fin placement template and wrap it around the tube. Use a pencil and mark the fin and launch lug locations.

4



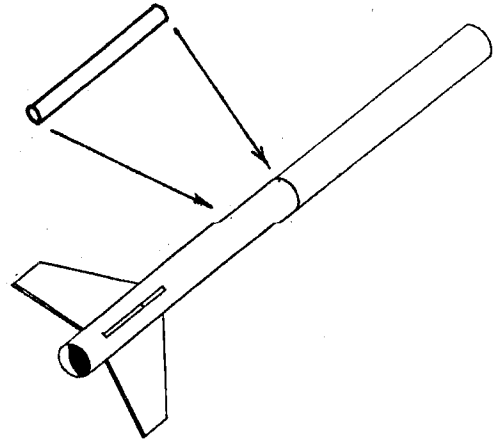
Cut the fins with a hobby knife and sand with fine sandpaper. Glue the fins on one at a time with white glue 1/2" from the end. Wait for each one to dry before applying the next fin.

5



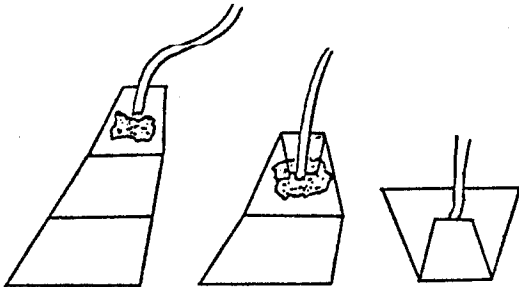
This is how the end view should look.

6



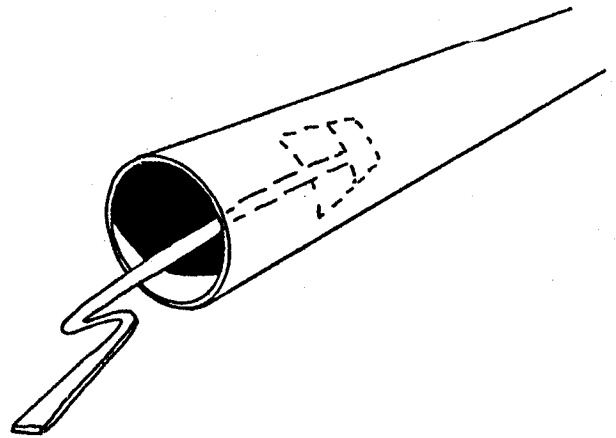
Glue the launch lug so that it is even with the tube joint.

7



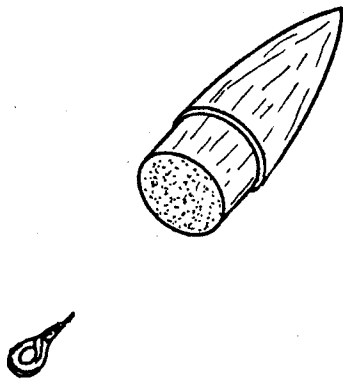
A. Cut out the shock cord mount and apply glue to section 1. Lay the end of the shock cord into the glue.  
 B. Fold section 1 at the fold line and squeeze with your fingers.  
 C. Apply glue to the back of section 1 and fold to section 3. Put complete assembly under a heavy object.

8



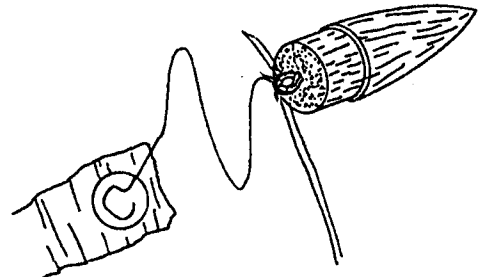
Glue the shock cord mount inside the body tube 1" from the end. Hold the mount until it dries.

9



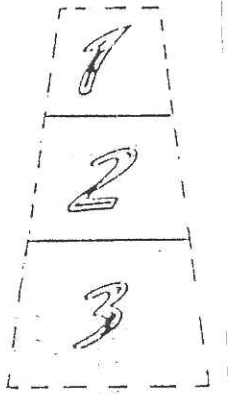
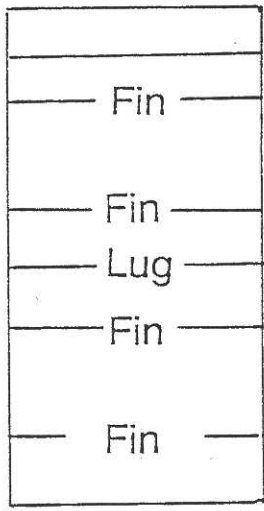
Insert the screw eye into the nose cone.

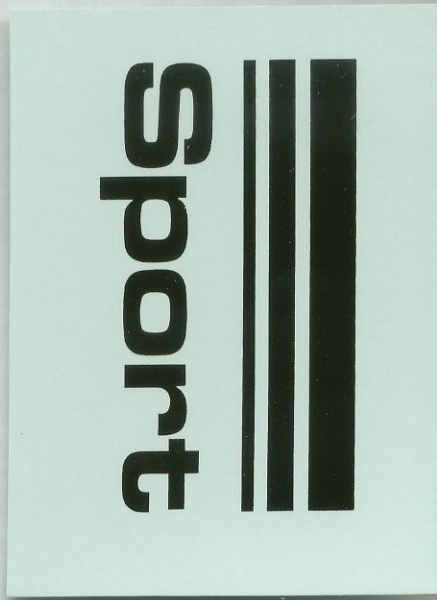
10



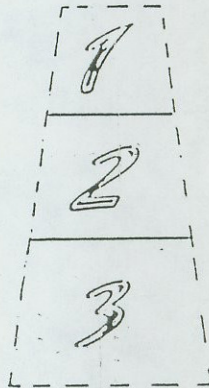
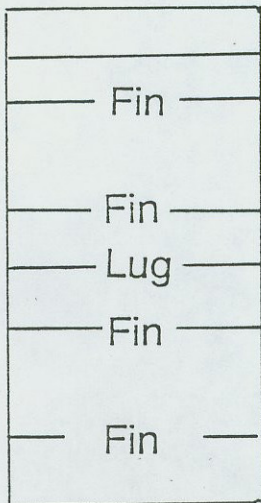
Tie the end of the shock cord to the screw eye. Tape the other end of the shroud line to the streamer and tie the other end of the shroud line to the screw eye.

# Sport Template





Sport Template





**Sport**



This list refers to parts list included in the instructions.

Note: Package refers to length as 19.5 inches.  
Actual length is 37.5 inches.

- A. BT-20, 18" length (2 ea)
- C. Fins are 3/32" balsa