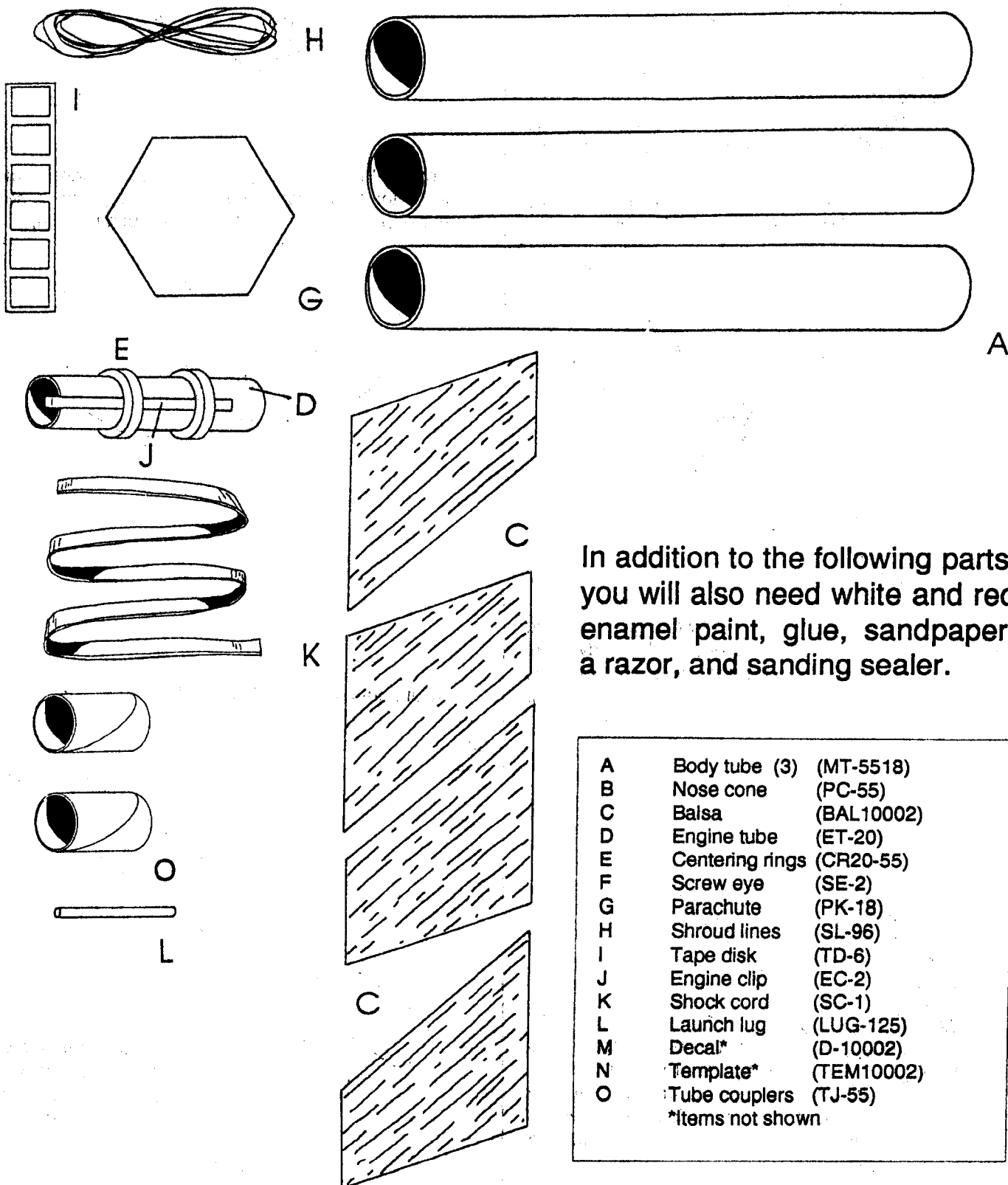
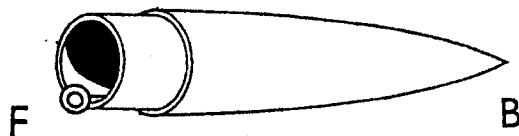


Engage ^{T.M.}

INSTRUCTIONS

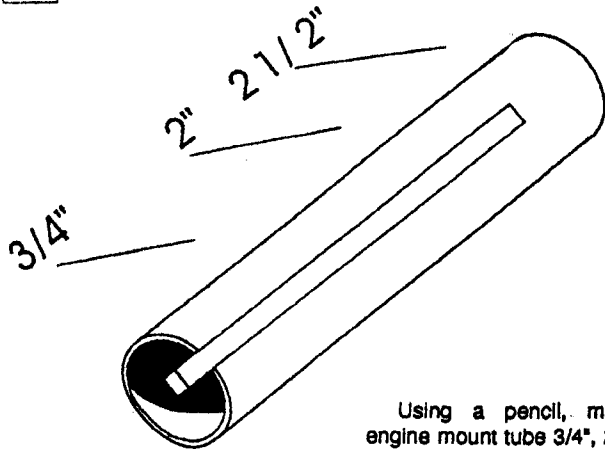
© 1993 Custom Rocket Company



In addition to the following parts, you will also need white and red enamel paint, glue, sandpaper, a razor, and sanding sealer.

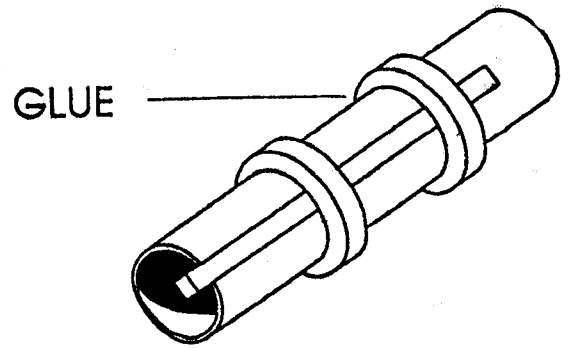
A	Body tube (3)	(MT-5518)
B	Nose cone	(PC-55)
C	Balsa	(BAL10002)
D	Engine tube	(ET-20)
E	Centering rings	(CR20-55)
F	Screw eye	(SE-2)
G	Parachute	(PK-18)
H	Shroud lines	(SL-96)
I	Tape disk	(TD-6)
J	Engine clip	(EC-2)
K	Shock cord	(SC-1)
L	Launch lug	(LUG-125)
M	Decal*	(D-10002)
N	Template*	(TEM10002)
O	Tube couplers	(TJ-55)
	*Items not shown	

1



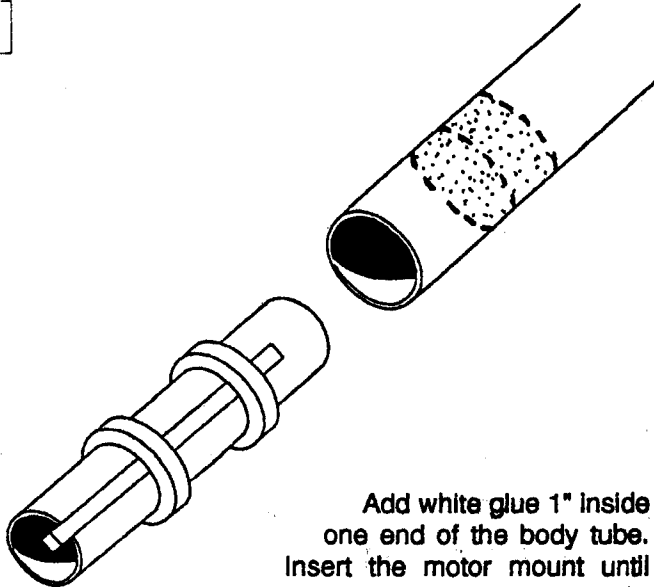
Using a pencil, mark the engine mount tube 3/4", 2" and 2 1/2". Cut 1/8" slit at the 2 1/2" mark and insert the engine clip into the slot. Take the centering rings and slide them into the tube at the 3/4" and 2" marks.

2



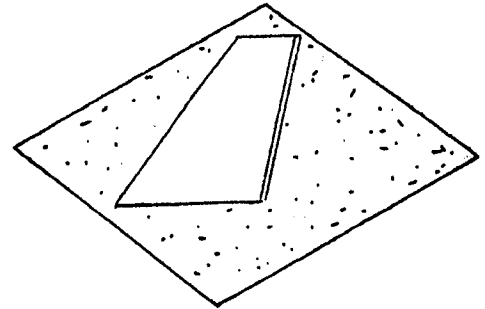
Apply white glue to the joints on all of the rings. Let this motor mount completely dry before going to the next step. It's very important not to rush this step!

3



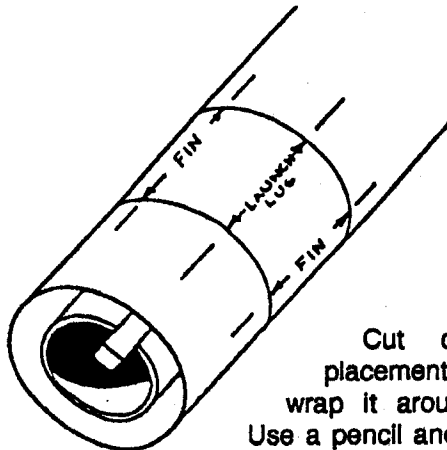
Add white glue 1" inside one end of the body tube. Insert the motor mount until both tube ends are flush.

4



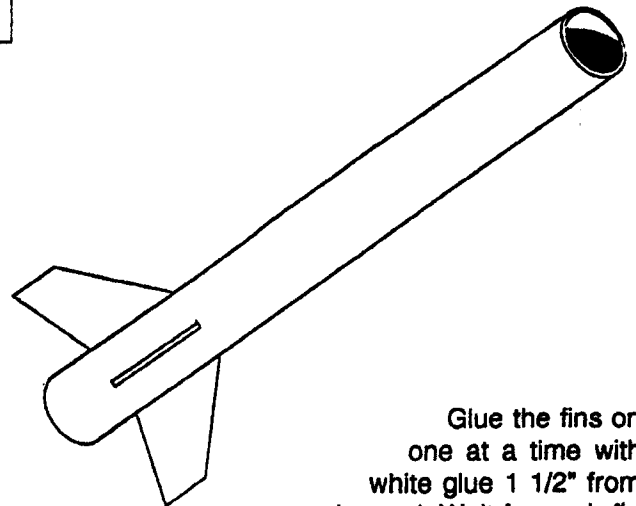
Cut and sand the balsa with fine sandpaper.

5



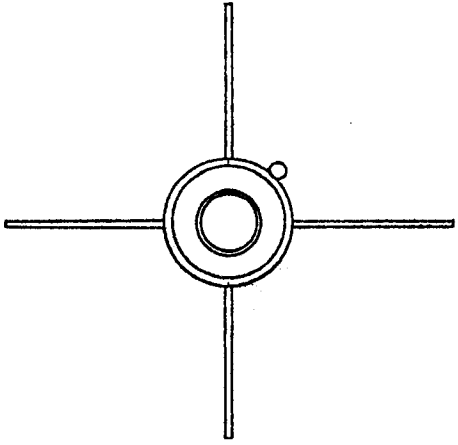
Cut out the fin placement template and wrap it around the tube. Use a pencil and mark the fin and launch lug locations. Notice where the engine clip is in the drawing.

6



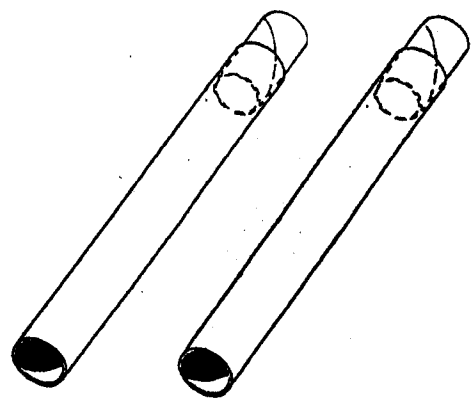
Glue the fins on one at a time with white glue 1 1/2" from the end. Wait for each fin to dry before applying the next fin.

7



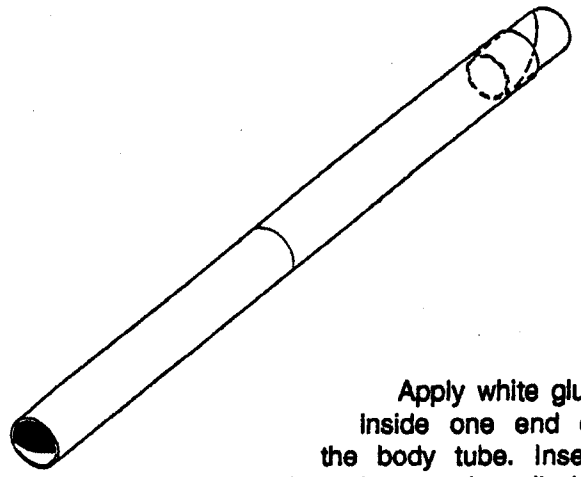
This is how the end view should look.

8



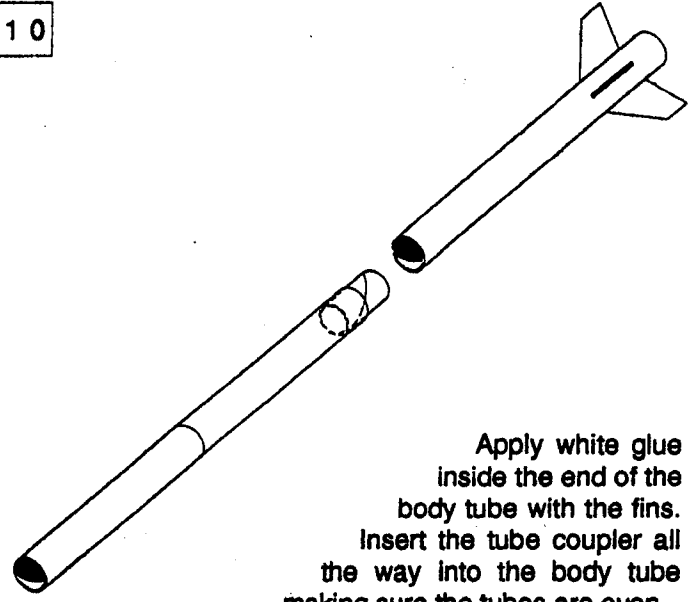
Apply white glue inside the ends of the two tubes and insert the tube couplers so that half of them are showing.

9



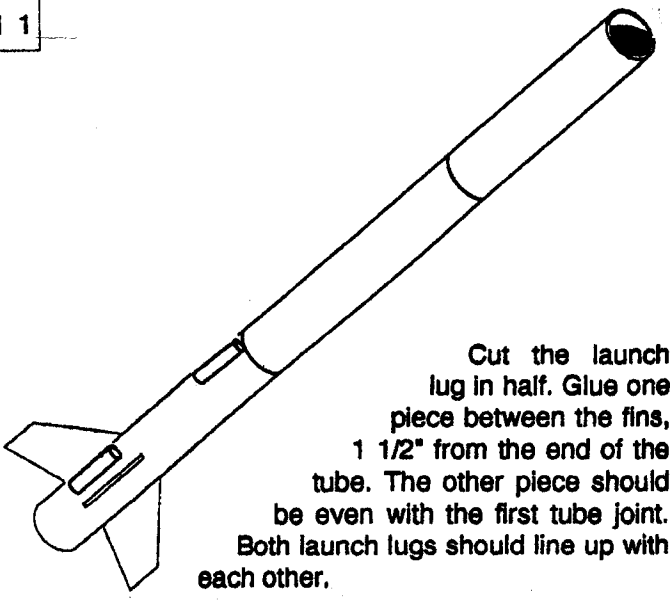
Apply white glue inside one end of the body tube. Insert the tube coupler all the way into the body tube making sure the tubes are even.

10



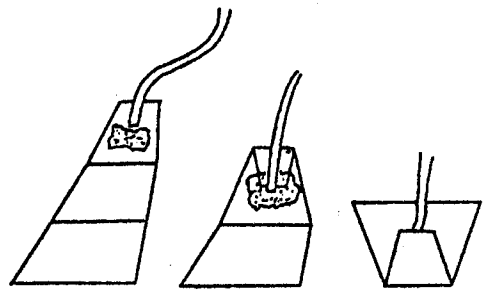
Apply white glue inside the end of the body tube with the fins. Insert the tube coupler all the way into the body tube making sure the tubes are even.

11



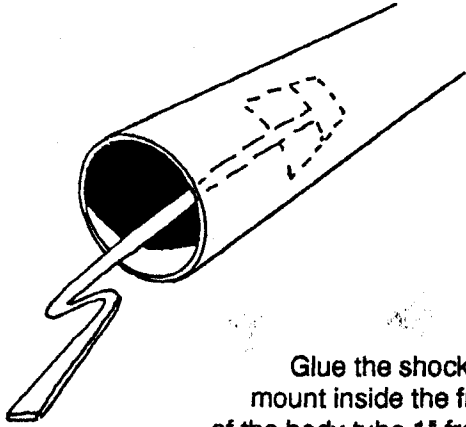
Cut the launch lug in half. Glue one piece between the fins, 1 1/2" from the end of the tube. The other piece should be even with the first tube joint. Both launch lugs should line up with each other.

12



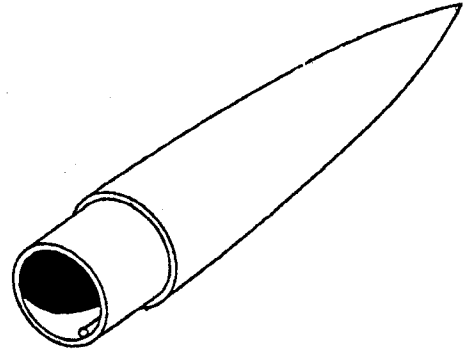
A. Cut out the shock cord mount and apply glue to section 1. Lay the end of the shock cord into the glue.
B. Fold section 1 at the fold line and squeeze with your fingers.
C. Apply glue to the back of section 1 and fold to section 3. Put complete assembly under a heavy object.

13



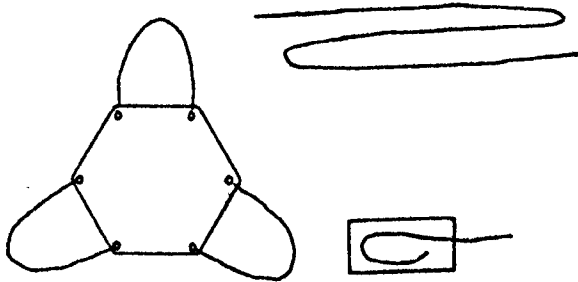
Glue the shock cord mount inside the front of the body tube 1" from the end. Hold the mount until it dries.

14



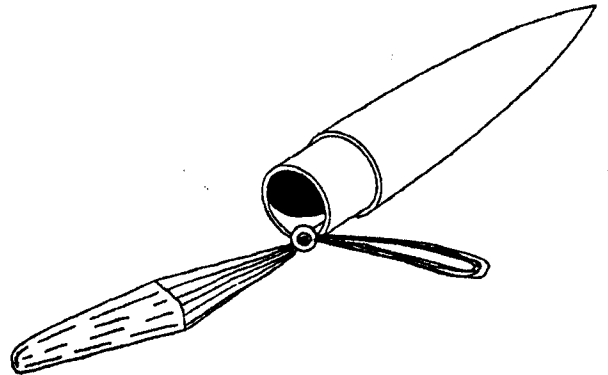
Insert the screw eye into the nose cone.

15



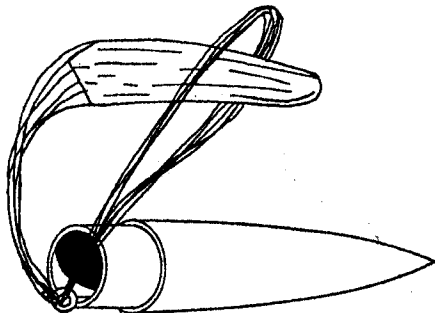
- A Cut the shroud line into three equal parts.
- B Attach the end of the shrouds to the tape disks.
- C Tape the disks to the parachute as shown.

16



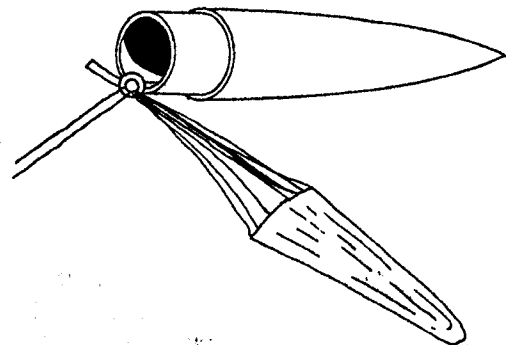
Thread the shroud line loops through the screw eye.

17

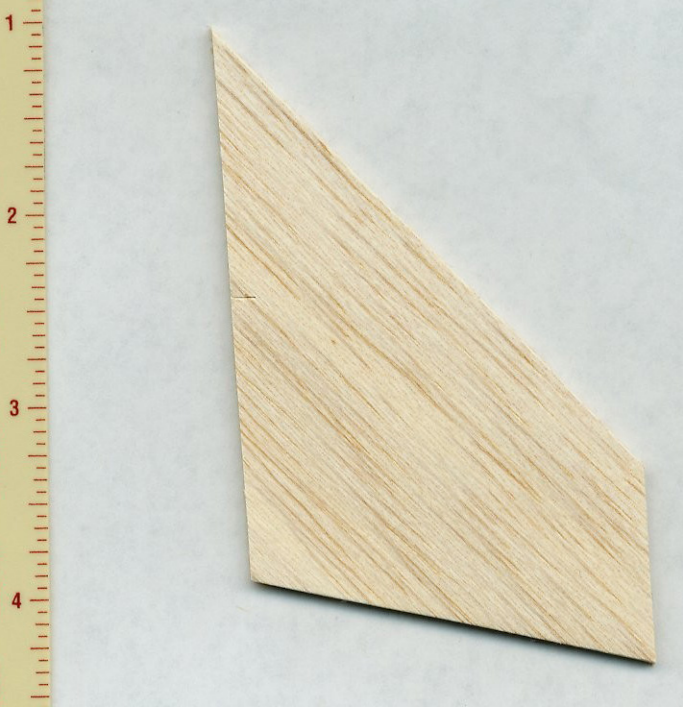


Take the loop ends and pass the parachute through. Pull the parachute tight.

18



Tie the end of the shock cord to the screw eye.



TODAY
1993

S M T W T F S

JANUARY

1 2
3 4 5 6 7 8 9
10 11 12 13 14 15 16
17 18 19 20 21 22 23
24 25 26 27 28 29 30
31

FEBRUARY

1 2 3 4 5 6
7 8 9 10 11 12 13
14 15 16 17 18 19 20
21 22 23 24 25 26 27
28

MARCH

1 2 3 4 5 6
7 8 9 10 11 12 13
14 15 16 17 18 19 20
21 22 23 24 25 26 27
28 29 30 31

APRIL

1 2 3
4 5 6 7 8 9 10
11 12 13 14 15 16 17
18 19 20 21 22 23 24
25 26 27 28 29 30

MAY

1 2 3 4 5 6 7 8
9 10 11 12 13 14 15
16 17 18 19 20 21 22
23 24 25 26 27 28 29
30 31

JUNE

1 2 3 4 5
6 7 8 9 10 11 12
13 14 15 16 17 18 19
20 21 22 23 24 25 26
27 28 29 30

JULY

1 2 3
4 5 6 7 8 9 10
11 12 13 14 15 16 17
18 19 20 21 22 23 24
25 26 27 28 29 30 31

AUGUST

1 2 3 4 5 6 7
8 9 10 11 12 13 14
15 16 17 18 19 20 21
22 23 24 25 26 27 28
29 30 31

SEPTEMBER

1 2 3 4
5 6 7 8 9 10 11
12 13 14 15 16 17 18
19 20 21 22 23 24 25
26 27 28 29 30

OCTOBER

1 2
3 4 5 6 7 8 9
10 11 12 13 14 15 16
17 18 19 20 21 22 23
24 25 26 27 28 29 30
31

NOVEMBER

1 2 3 4 5 6 7
8 9 10 11 12 13
14 15 16 17 18 19 20
21 22 23 24 25 26 27
28 29 30

DECEMBER

1 2 3 4
5 6 7 8 9 10 11
12 13 14 15 16 17 18
19 20 21 22 23 24 25
26 27 28 29 30 31

8203

ENGAGE
ENGAGE
ENGAGE

FIN

FIN

TEMPLATE

BULLET
ENGAGE

FIN

FIN

OVERLAP

ENGAGE

ENGAGE

ENGAGE