

# mini FINLESS

SKILL LEVEL 2

WINNER JULY 1979

DESIGN OF THE MONTH CONTEST

BY ALAN J. WAIDE, Pasadena, CA

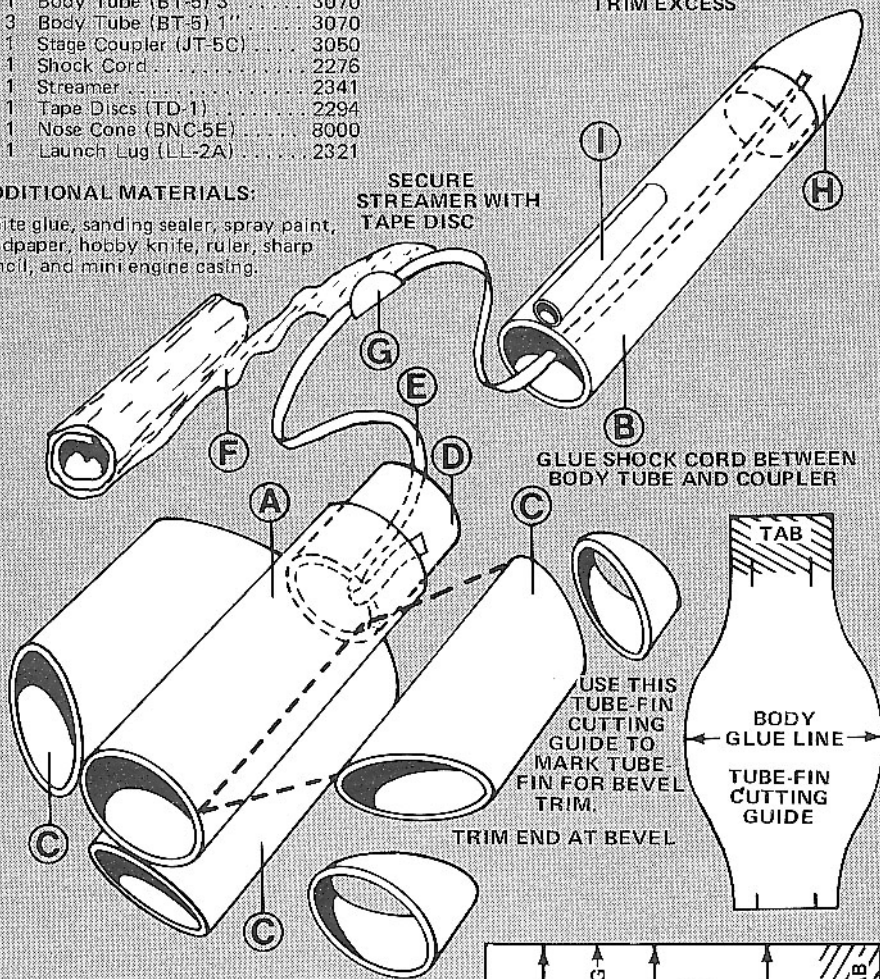
## PARTS LIST

A	1	Body Tube (BT-5) 2"	3070
B	1	Body Tube (BT-5) 3"	3070
C	3	Body Tube (BT-5) 1"	3070
D	1	Stage Coupler (JT-5C)	3050
E	1	Shock Cord	2276
F	1	Streamer	2341
G	1	Tape Discs (TD-1)	2294
H	1	Nose Cone (BNC-5E)	8000
I	1	Launch Lug (LL-2A)	2321

## ADDITIONAL MATERIALS:

White glue, sanding sealer, spray paint, sandpaper, hobby knife, ruler, sharp pencil, and mini engine casing.

GLUE SHOCK CORD BETWEEN BODY TUBE AND NOSE CONE TRIM EXCESS



SECURE STREAMER WITH TAPE DISC

GLUE SHOCK CORD BETWEEN BODY TUBE AND COUPLER

USE THIS TUBE-FIN CUTTING GUIDE TO MARK TUBE-FIN FOR BEVEL TRIM.

TRIM END AT BEVEL

## RECOMMENDED ENGINES:

1/4A3-2T 1/2A3-2T A3-4T

