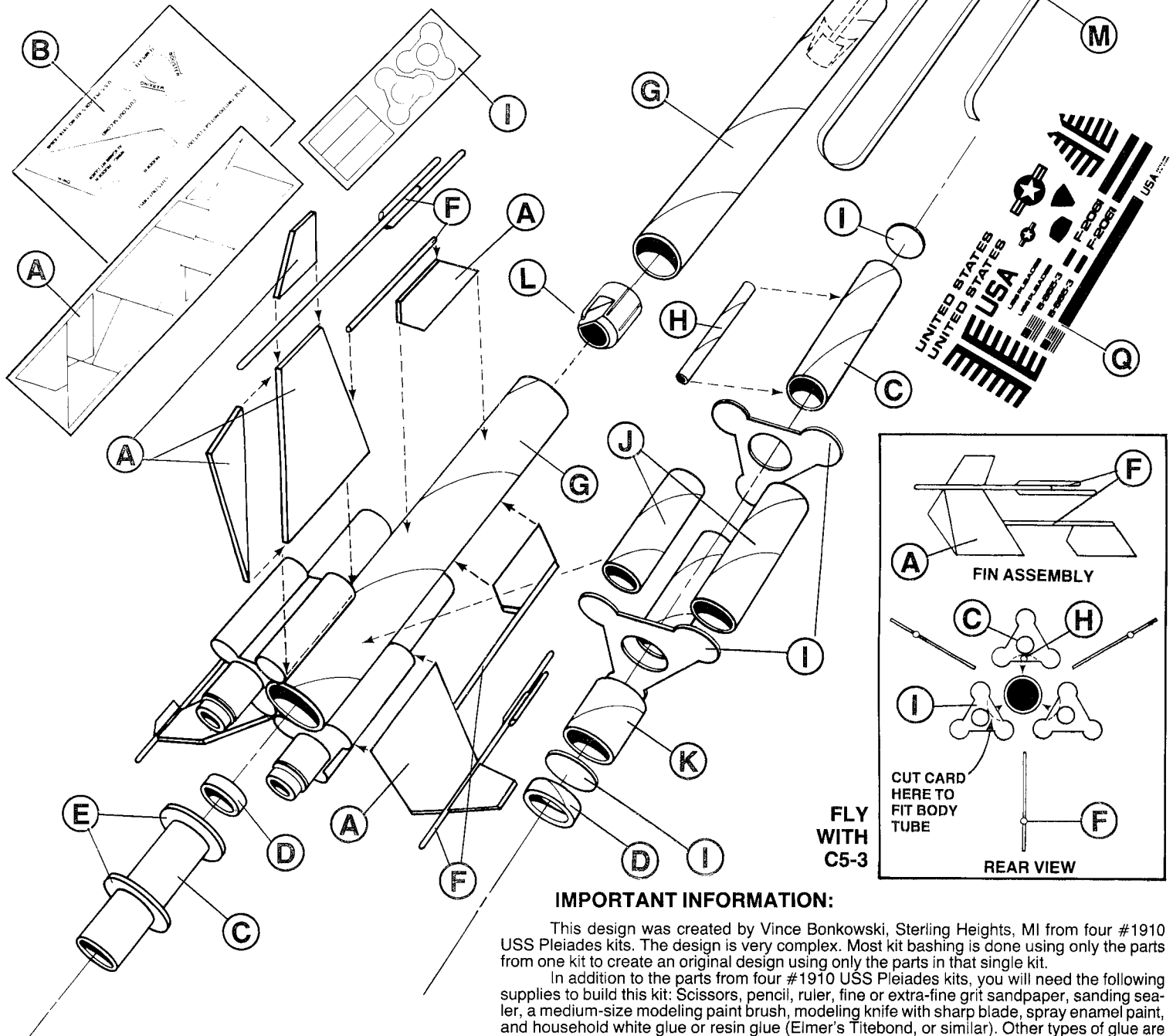


STAR CRUISER KIT BASH

PARTS LIST

A	3	Balsa Die-Cut Sheet (type BF-1910)	32610
B	1	Pattern Sheet (back of kit panel)	83646
C	3	Body Tube (type BT-20J) 2-3/4" long	30326
D	4	Engine Block (type AR-520)	30162
E	1	Die-Cut Card (type PL-2055)	30127
F	3	Wood Dowel	32058
G	2	Body Tube (type BT-55KA)	30387
H	1	Launch Lug (type LL-2B)	38178
I	3	Die-Cut Card (type RA-1910)	32460
J	9	Body Tube (type BT-20M) 2-1/4" long	30334
K	3	Stage Coupler (type JT-20D)	30255
L	2	Nose Cone (type PNC-55B)	72056
M	1	Shock Cord (type SC-1)	85730
N	1	Parachute (type PK-18A)	85566
O	1	Shroud Line (type SLT-108)	38239
P	1	Tape Discs-6 (type TD-3F)	38406
Q	1	Decal (type KD-1910)	37225



IMPORTANT INFORMATION:

This design was created by Vince Bonkowski, Sterling Heights, MI from four #1910 USS Pleiades kits. The design is very complex. Most kit bashing is done using only the parts from one kit to create an original design using only the parts in that single kit.

In addition to the parts from four #1910 USS Pleiades kits, you will need the following supplies to build this kit: Scissors, pencil, ruler, fine or extra-fine grit sandpaper, sanding sealer, a medium-size modeling paint brush, modeling knife with sharp blade, spray enamel paint, and household white glue or resin glue (Elmer's Titebond, or similar). Other types of glue are not recommended.