

APACHE-ARROW

WINNER APRIL 1979
 DESIGN OF THE MONTH CONTEST
 By: MILES CONKLIN, Highland, MI

SKILL LEVEL 2

PARTS LIST

A	2	Body Tube (BT-5)	3070
B	1	Nose Cone (BNC-5W)	8003
C	1	Fin Stock (BFS-20)	3164
D	2	Launch Lugs (LL-2A)	2321
E	1	Screw Eye (SE-3)	2281
F	1	Shock Cord (SC-3)	85744
G	2	Stage Coupler (JT-5C)	3050
H	1	Parachute (PK-8)	2261

ADDITIONAL MATERIALS

White glue, sanding sealer, spray paint, sandpaper, hobby knife, ruler, sharp pencil.

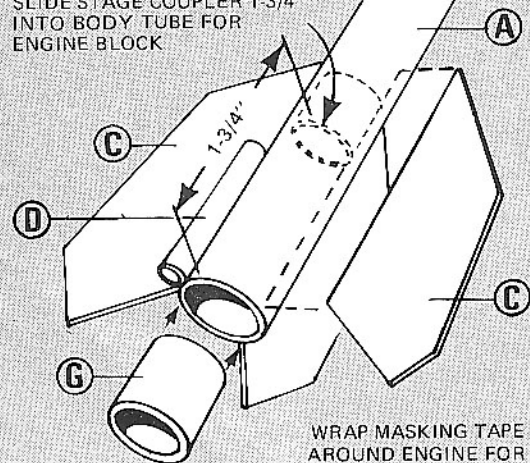
RECOMMENDED ENGINES

A3-4T (First Flight) A10-3T

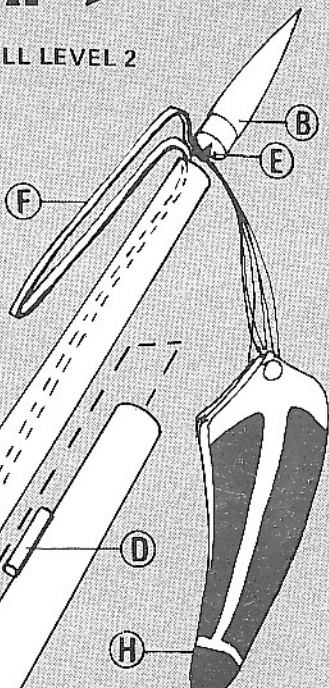
PAINTING

Nose cone - Black
 Body Tubes - Yellow
 Multi-colored stripes
 around body tube
 above fins.

SLIDE STAGE COUPLER 1-3/4"
 INTO BODY TUBE FOR
 ENGINE BLOCK



WRAP MASKING TAPE
 AROUND ENGINE FOR
 SNUG FIT



MOUNT SHOCK CORD AT REAR
 OF BODY TUBE TO PREVENT
 PARACHUTE BLOCKAGE

FIN PATTERN SHOWN
 ACTUAL SIZE

