

204 EVADER

HONORABLE MENTION JUNE 1976
DESIGN OF THE MONTH CONTEST
By JAMES R. HICKS
Carbondale, PA

**SKILL
LEVEL 2**

Build the 204 EVADER with Estes High Performance Parts and Accessories

PARTS LIST

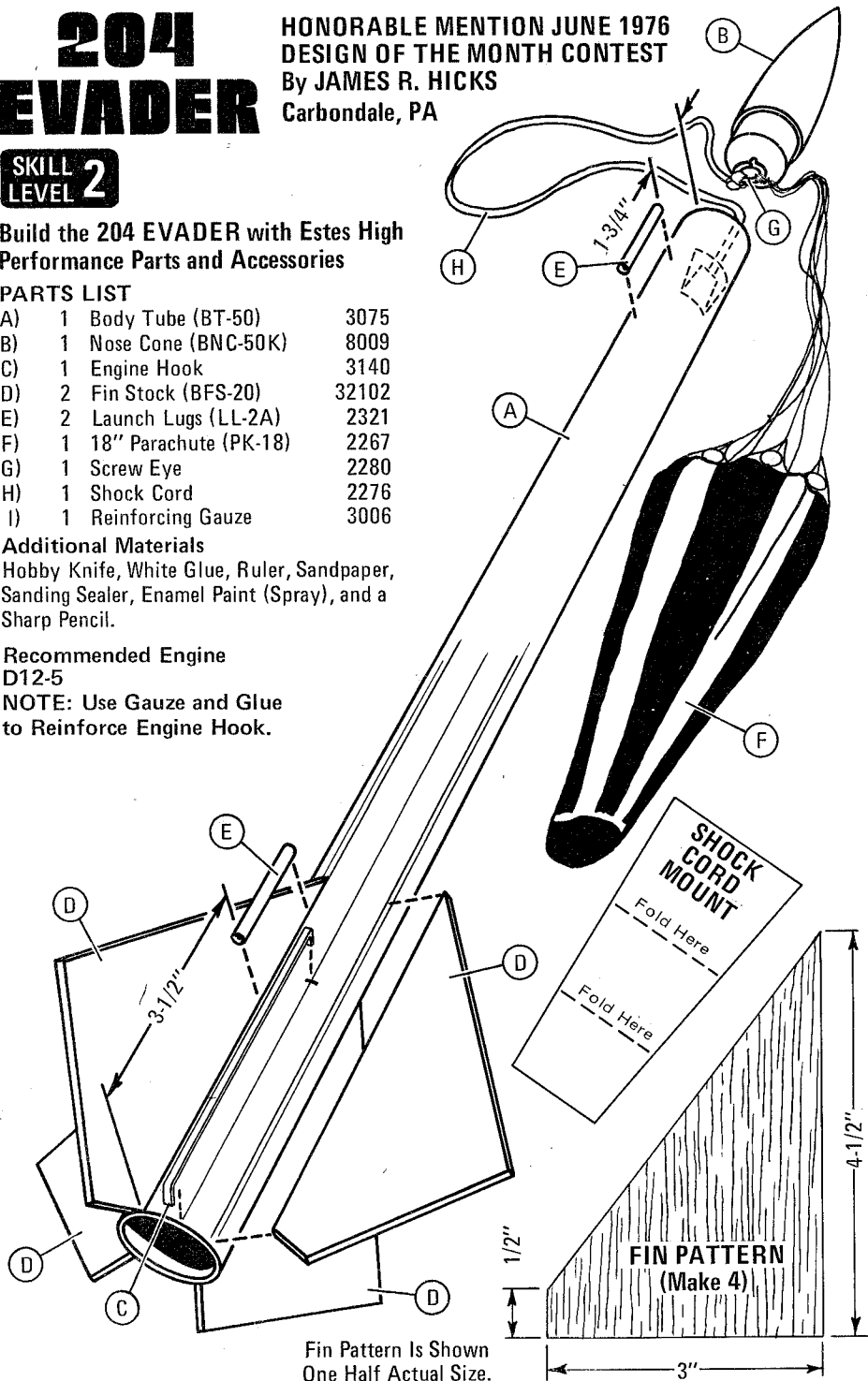
A)	1	Body Tube (BT-50)	3075
B)	1	Nose Cone (BNC-50K)	8009
C)	1	Engine Hook	3140
D)	2	Fin Stock (BFS-20)	32102
E)	2	Launch Lugs (LL-2A)	2321
F)	1	18" Parachute (PK-18)	2267
G)	1	Screw Eye	2280
H)	1	Shock Cord	2276
I)	1	Reinforcing Gauze	3006

Additional Materials

Hobby Knife, White Glue, Ruler, Sandpaper, Sanding Sealer, Enamel Paint (Spray), and a Sharp Pencil.

Recommended Engine
D12-5

NOTE: Use Gauze and Glue to Reinforce Engine Hook.



Fin Pattern Is Shown
One Half Actual Size.