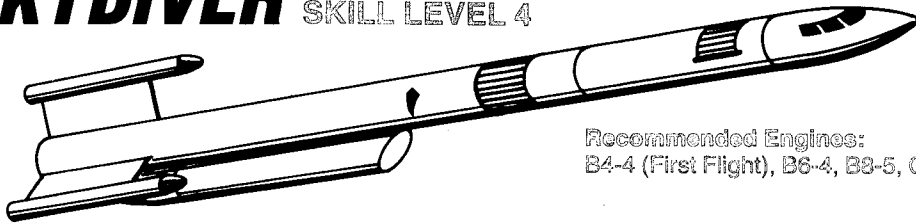


SKYDIVER SKILL LEVEL 4

WINNER, January 1984
Design of the Month Contest
by Dean Pilato, Warren, MI



Recommended Engines:
B4-4 (First Flight), B6-4, B8-5, C6-5

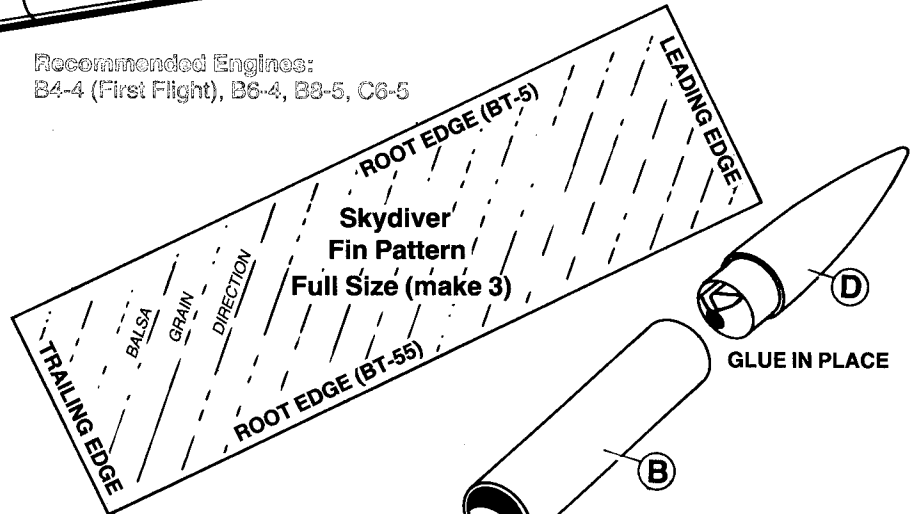
PARTS LIST

A	1	Body Tube 18" (BT-55)	3074
B	1	Body Tube 6" (BT55)	3074
C	1	Body Tube 8" (BT-50)	3073
D	1	Nose Cone (PNC-55AO)	71075
E	1	Nose Cone (PNC-50KA)	71028
F	3	Nose Cones (BNC-5V)	8002
G	3	Body Tubes (BT-5)	3070
H	1	Coupler (JT-55C)	3053
I	1	Nose Block (NB-50)	70158
J	1	Parachute (PK-18)	2267
K	1	Engine Mount (EH-2055)	3151
L	1	Engine Holder (EH-2)	3140
M	1	Shock Cord	2276
N	1	Launch Lug	2321
O	1	Balsa Fin Stock (BFS-30)	3168

All parts available from 1984 Estes Catalog, Pages 66-70.

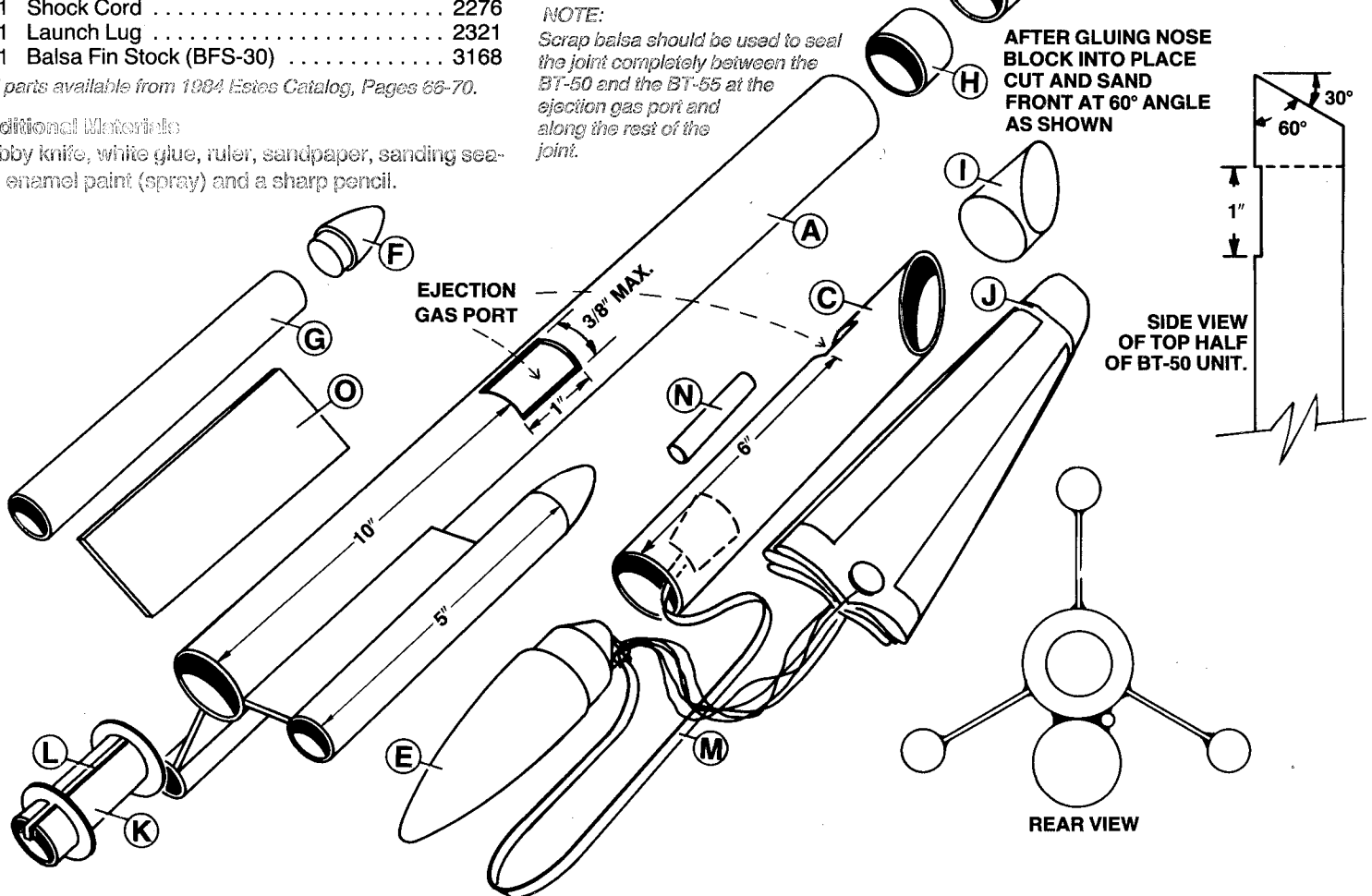
Additional Materials:

Hobby knife, white glue, ruler, sandpaper, sanding sealer, enamel paint (spray) and a sharp pencil.



NOTE:

Scrap balsa should be used to seal the joint completely between the BT-50 and the BT-55 at the ejection gas port and along the rest of the joint.



SIDE VIEW OF TOP HALF OF BT-50 UNIT.

REAR VIEW



OTHER DESIGN OF THE MONTH CONTEST WINNERS



December 1983 WINNERS: Peter W. Kodis, Mattapoisett, MA (Tomahawk 2). Louis J. Jiardina, Marion, IL (Pan Am Starliner). William W. Lynt, Jr., Racine, WI (Flammeus Curcus). Wayne Lowing, Zebulon, NC (Aurora). William T. Hultstrunk, Rexford, NY (F-RED Fighter-Rocket Emergency Defense). Dean Pilato, Warren, MI (Navajo). Patrick Graham, Hunstville, AL (Starfinder). HONORABLE MENTION: James E. Fesmire, Northport, AL (IRV - Interplanetary Reconnaissance Vehicle). D. Blue,

Northville, MI. Alonzo Branson, Talbot, IN (Rocket Stand). Eric Fredrick, Oktoha, OK (Caesar). Malvin Whang, Walnut, CA (Avenger II). Chris Renzi, Radnor, PA (Seahawk). January 1984 WINNERS: Dean Pilato, Warren, MI (Skydiver). Doug & Dan Hollister, Fort Morgan, CO (The Pixie). William T. Hultstrunk, Rexford, NY (Buck Rogers Type Model Rocket Circa 1937). Billy Jacobs, Escondido, CA (Harpoon A.A.M.). Greg Carr, Ferndale, MI (D-Hypotenuse). Jeff Luppino, Hammondsport, NY (The Thunder).

HONORABLE MENTION:

Mark Sanders, Windham, OH (The Mayflower). Stephan Cossette, Rochester, NH (Stephan's Starlight). Zak Wellman, Santa Rosa, CA (Black Needle). James E. Fesmire, Northport, AL (Cosmotron Interstellar Probe). David Gary, Orlitia, Ontario, Canada (Survivor). John Saskowski, Houston, TX (The Exploiter). Robby Frederick, Renton, WA (The Rebel). Mark Gillfillan, Hiawatha, KS. Wendy Jiardina, Marion, IL (The Firebird).