

## F2H4 BANSHEE

Whether you want to display it or fly it (with the provided flight extension), this kit will bring a unique flavor to your collection.

Pre-cut and slotted aviation plywood fins, plastic noses and tail cone and plastic bubble canopy are some of the features. For display purposes, an 'intake' cap is included. To complete the look, sticker decals are also included.

**SKILL:** Level 3

**LENGTH:** 47.75" with flight extension

**DIAMETER OF FLIGHT EXTENSION:**  
1.625"

**WEIGHT:** 32 ounces

**MMT:** 29mm

**RECOVERY:** 36" rip-stop nylon parachute

**RECOMMENDED MOTORS:** F80-4,

G40-7, G80-7

All kits require assembly. White glue, epoxy, finishing supplies, launch system, recovery wadding and rocket motors for launching are NOT included.

-Since FAT CAT ROCKETS, INC. cannot control the use of its products once sold, FAT CAT ROCKETS, INC. cannot be held responsible for any personal injury or property damage resulting from the use, handling or storage of this product and its components. The BUYER ASSUMES ALL RISKS AND LIABILITIES therefrom and accepts and uses FAT CAT ROCKETS, INC. products on these conditions.

-All our model rocket kits are RECOMMENDED for age 12 and up with adult supervision.

-Our rocket kits contain small components that could easily be swallowed by young children. Keep all components out of reach of all children under 10 years of age.



**FAT CAT**  
ROCKETS, INC.

[www.fatcatrockets.com](http://www.fatcatrockets.com)



# F2H4 BANSHEE

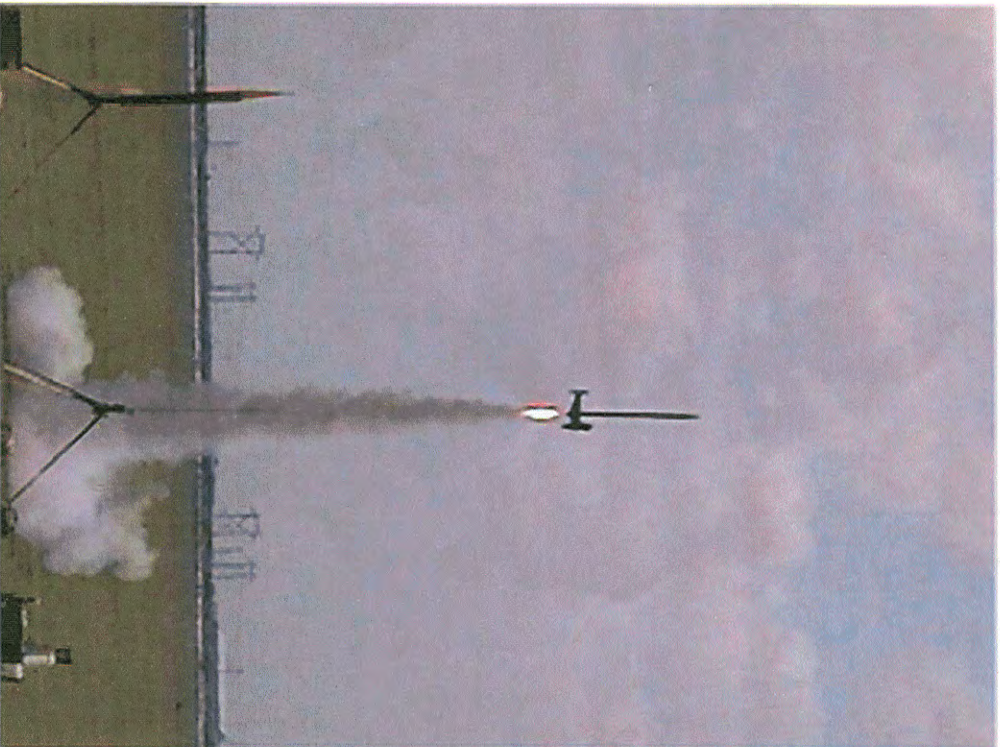
## ASSEMBLY INSTRUCTIONS

Items you will need to assemble this kit:

- ◆ PENCIL
- ◆ HOBBY KNIFE
- ◆ SANDPAPER
- ◆ EPOXY
- ◆ PLASTIC CA GLUE
- ◆ PAINT(your choice)

### PARTS LIST

- ◆ 1" BODY TUBE
- ◆ (2) 1.5" BODY TUBES ( 16" LONG)
- ◆ 2.5" BODY TUBE
- ◆ 1.5" BODY TUBE (2" LONG)
- ◆ 1.5" COUPLER
- ◆ 1.125" MOTOR MOUNT TUBE
- ◆ 1.25" PLASTIC TUBING
- ◆ (2) PLASTIC FINNED TUBES
- ◆ 1.25" I.D. X 1.5" O.D. ALUMINUM TUBE
- ◆ LARGE ALUMINUM RING
- ◆ STAINLESS STEEL PIN
- ◆ 2.5" PLASTIC NOSE CONE
- ◆ 2.5" PLASTIC TAIL CONE
- ◆ BUBBLE CANOPY
- ◆ 1.5" PLASTIC NOSE CONE
- ◆ (2) 1" PLASTIC NOSE CONES
- ◆ PLYWOOD FINS
- ◆ PLYWOOD RINGS
- ◆ 5/32" DOWEL
- ◆ 1/4" DOWEL
- ◆ 2 SIDE GUN PODS
- ◆ 36" PARACHUTE
- ◆ LAUNCH LUGS
- ◆ SHOCK CORD AND MOUNT
- ◆ STICKERS



F2H4 BANSHEE ON G40-7

# F2H4 BANSHEE

## ASSEMBLY INSTRUCTIONS

### Items you will need to assemble this kit:

- ◆ PENCIL
- ◆ HOBBY KNIFE
- ◆ SANDPAPER
- ◆ EPOXY
- ◆ PLASTIC CA GLUE
- ◆ PAINT(your choice)

### PARTS LIST

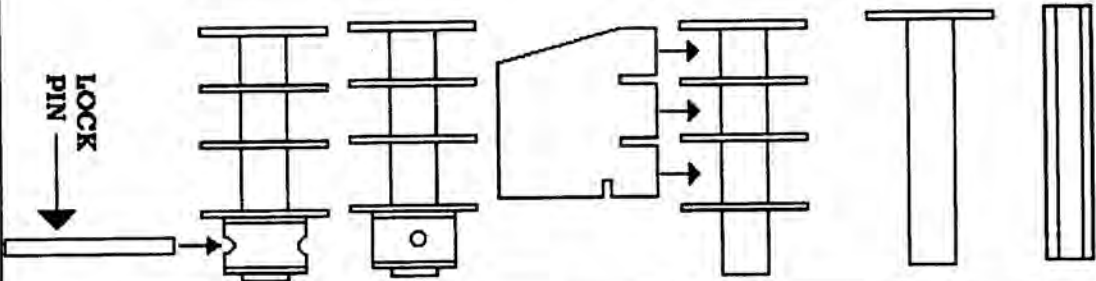
- ◆ 1" BODY TUBE
- ◆ (2) 1.5" BODY TUBES ( 16" LONG)
- ◆ 2.5" BODY TUBE
- ◆ 1.5" BODY TUBE (2" LONG)
- ◆ 1.5" COUPLER
- ◆ 1.125" MOTOR MOUNT TUBE
- ◆ 1.25" PLASTIC TUBING
- ◆ (2) PLASTIC FINNED TUBES
- ◆ 1.25" I.D. X 1.5" O.D. ALUMINUM TUBE
- ◆ LARGE ALUMINUM RING
- ◆ STAINLESS STEEL PIN
- ◆ 2.5" PLASTIC NOSE CONE
- ◆ 2.5" PLASTIC TAIL CONE
- ◆ BUBBLE CANOPY
- ◆ 1.5" PLASTIC NOSE CONE
- ◆ (2) 1" PLASTIC NOSE CONES
- ◆ PLYWOOD FINS
- ◆ PLYWOOD RINGS
- ◆ 5/32" DOWEL
- ◆ 1/4" DOWEL
- ◆ 2 SIDE GUN PODS
- ◆ 36" PARACHUTE
- ◆ LAUNCH LUGS
- ◆ SHOCK CORD AND MOUNT
- ◆ STICKERS

1. Mark the motor tube using the fin placement guide. Draw lines down the full length of the tube.
2. Glue one of the four large centering rings to one end of the motor tube. This will be the rear of the model.

## 1. Motor Mount Assembly

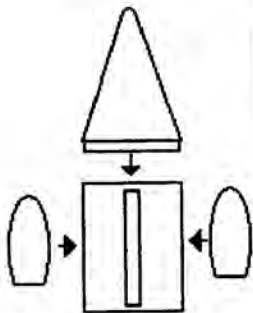
3. Using the notched end of one of the fins as a guide, place the other three large rings onto the motor tube.

4. Attach one of the small rings onto the assembly. Then slide the small aluminum collar onto the assembly. Then mark the two holes on the motor tube. Then remove the collar and, using a pen-knife, cut out the two holes. Replace the collar and test fit the lock pin. The lock pin should slide into the collar freely. When done, epoxy the collar into place. Finally, attach the other small centering ring to the top of the assembly.



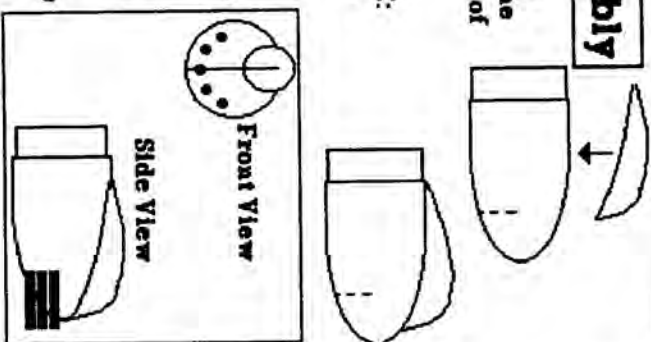
## 2. Command Pod Assembly

1. Mark the 2-1/2" body tube using the 'Command Pod Marking Guide'.
2. With a pen-knife, cut out the fin slot.
3. Attach the two side pods as shown.
4. Using plastic C.A. glue, attach the plastic cone as shown.



## 3. Cockpit Assembly

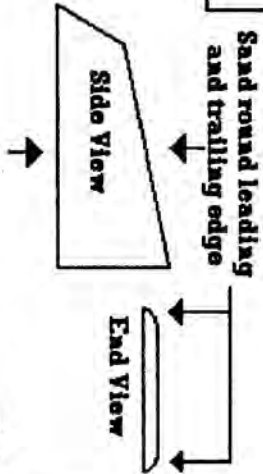
1. Trim clear canopy to fit the curve of the big nosecone. The back of the canopy is flush with the shoulder of the nosecone.
2. Using plastic C.A. glue, attach the canopy to the nosecone. NOTE: Canopy is located on the opposite side of the pre-drilled holes. Use the seam as a guide for canopy alignment.
3. Cut five pieces of the 1/8" plastic tubing 1" long. Test fit the tubes into the pre-drilled holes in the nose. When done, glue the tubes into place.
4. Prime and sand this assembly as desired then set aside until the final assembly.



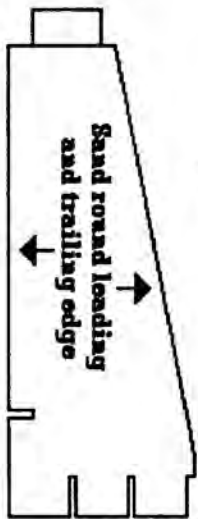


## 4. Main Wing Assembly

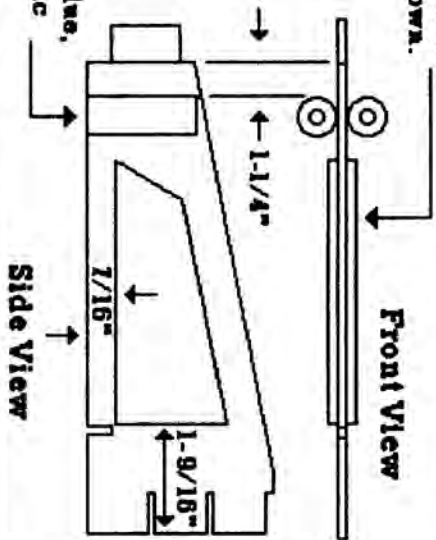
1. Sand the two wing panels as shown. **NOTE:** Make one left and one right.



2. Sand the main wing as shown.



3. Attach the wing panels to the main wing as shown.



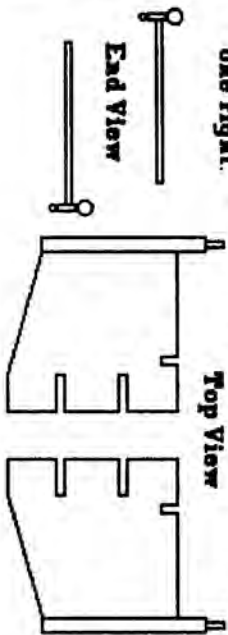
4. Using plastic C.A. glue, attach the two plastic tubes as shown.

## 5. Wing Assembly

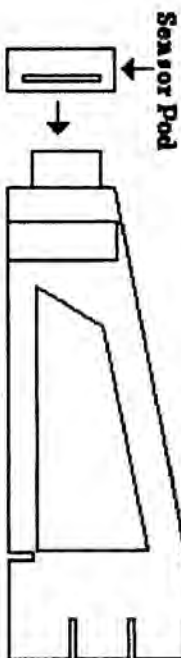
1. Using the side cannon pattern, make two assemblies as shown.



2. When dry, attach cannons to the end of each short wing as shown. **Note:** Make one left and one right.



5. Using the sensor pod marking guide, lay out the lines for the fin slot. With a pen knife, cut out the slot to fit the tab on the main wing.

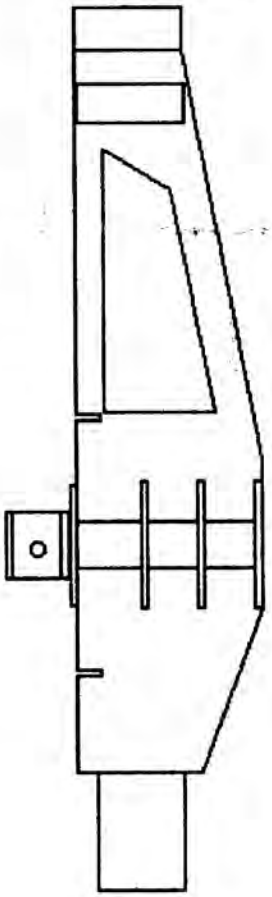


6. Attach tube to the main wing.

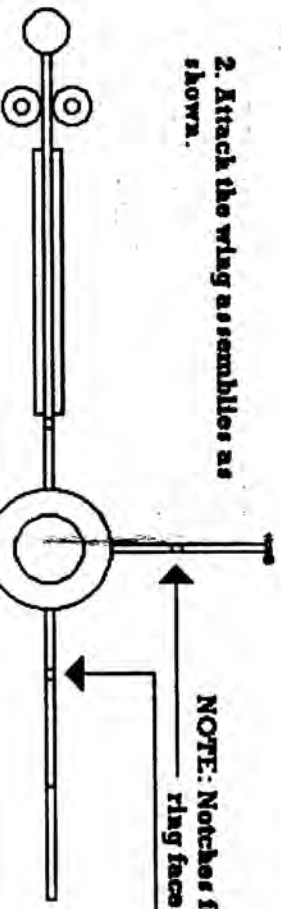


## 6. Final Assembly Part 1

1. Attach the main wing and Command Pod pylon as shown.

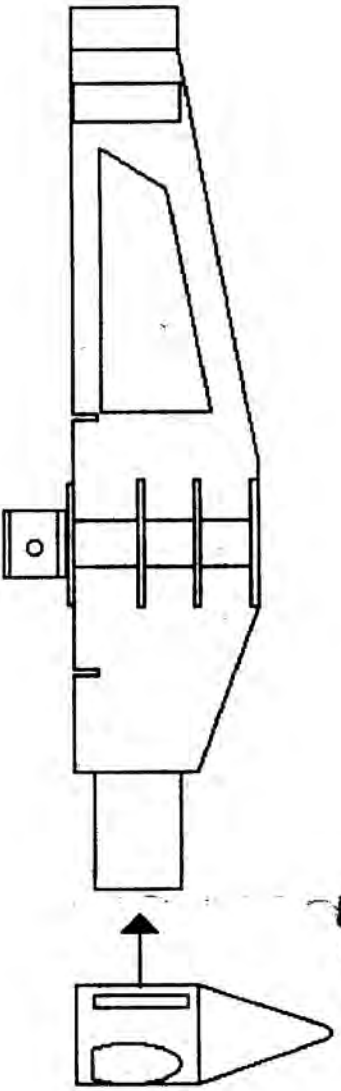


2. Attach the wing assemblies as shown.



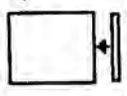
NOTE: Large dowel goes toward Command Pod side.

3. Attach the Command Pod as shown.  
4. Fillet all joints.

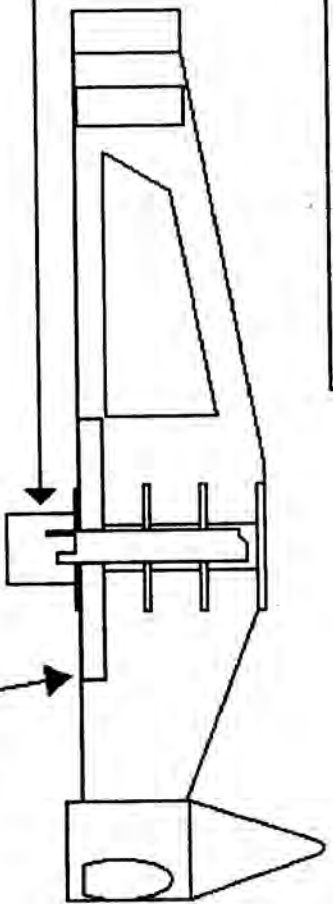


## 7. Final Assembly Part II

1. Glue bulkhead plate into the end of the shortest piece of 1-1/2" tubing. The plate is flush with the end of the tube.

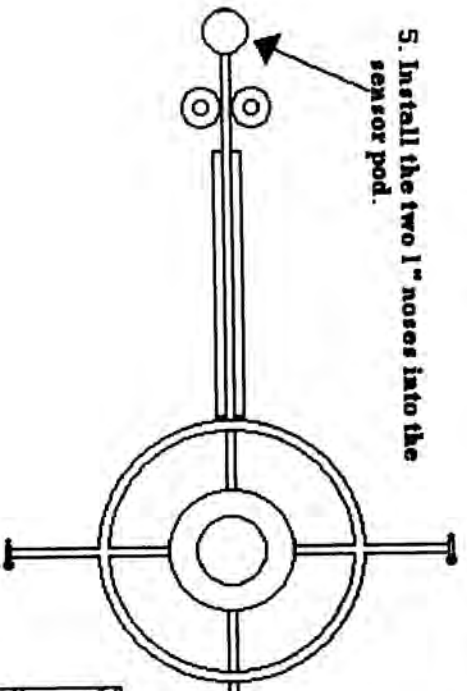


2. When dry, place assembled cap onto the end of the motor mount tube. **NOTE: DO NOT GLUE CAP ONTO MOTOR MOUNT ASSEMBLY... THIS IS FOR DISPLAY ONLY.**



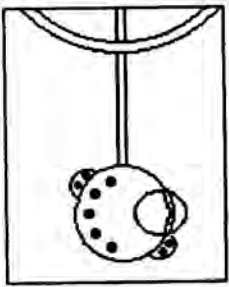
3. Epoxy aluminum ring into its notches. Filllet all joints.

5. Install the two 1" noses into the sensor pod.



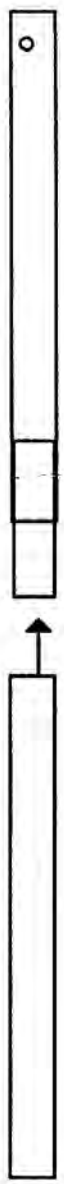
4. Prime and sand as desired. Refer to Finish Page for color suggestions and sticker placement.

6. Cut four pieces of the 1/8" plastic tube 3/4" long. Paint these pieces black. When dry, install these into the side gun pods.

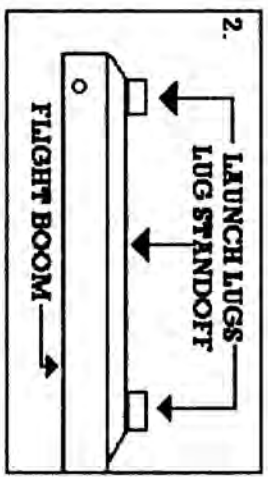
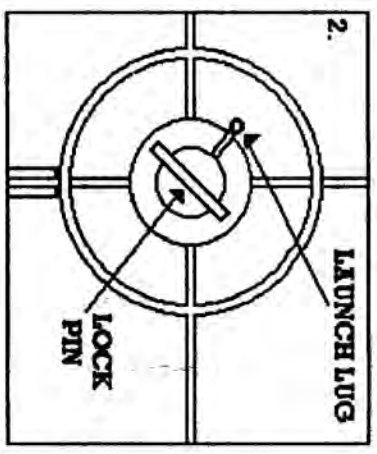


7. Place the finished Cockpit onto the Command Pod. **NOTE: DO NOT GLUE THIS ASSEMBLY TOGETHER. USE TAPE ON THE SHOULDER TO GET A SNUG FIT YOU MAY WANT TO SWIVEL THE COCKPIT TO A DIFFERENT POSITION FOR DISPLAY.**

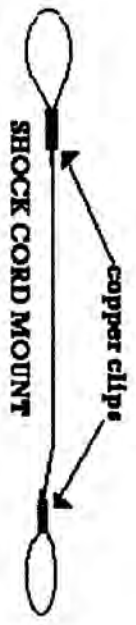
1. Glue the coupler halfway into the long body tube with the hole in it. When dry glue the other tube onto the opposite end.



2. Slide the boom onto the end of the model and align the lock pin holes. Mark a line between two of the wings as shown. Remove the boom and extend the mark 12" down the boom. Attach the launch lug standoff as shown. When dry, attach the launch legs as shown.



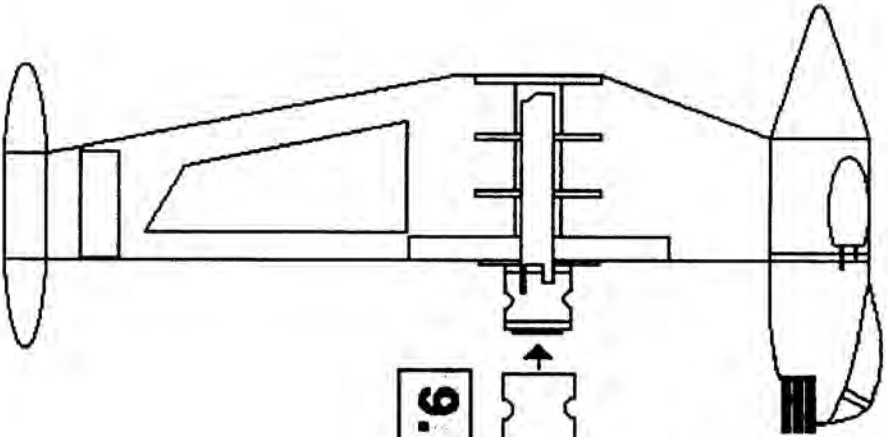
3. Assemble the shock cord mount as shown. Slide the copper clips onto the wire cable. Then loop each end back through the clip. Do not make the loops too big since, one end must fit into the motor mount tube. Using a hammer, flatten the copper clips.



4. Attach the shock cord to one end of the shock cord mount. Attach the nosecone to the other end of the shock cord. Attach the parachute to the screw eye on the nosecone.

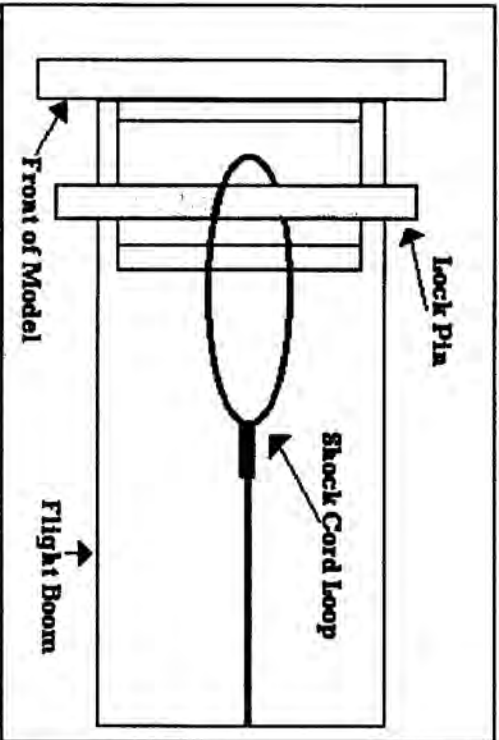
## 8. Flight Extension Boom



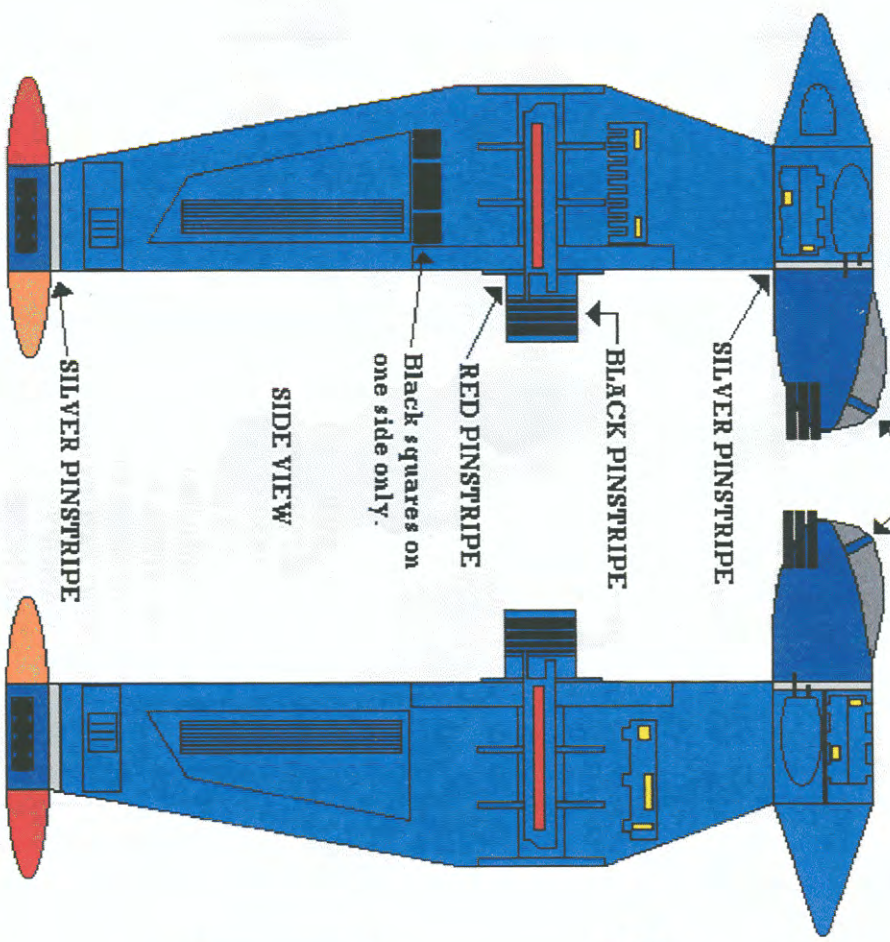


1. Slide the shock cord mount into the flight extension boom. Try to orient the loop between the holes in the boom. Then slide the boom onto the end of the model. Align the holes and install the locking pin.  
NOTE: GIVE THE SHOCK CORD A PULL TO MAKE SURE THE MOUNT IS SECURED TO THE LOCK PIN. (See Diagram Below).
2. Using ample flameproof wadding, prep the recovery system like a normal rocket.
3. After flight, remove lock pin and flight boom. Replace display cap.  
NOTE: THE LOCKING PIN MAY NEED TO BE SANDED BETWEEN FLIGHTS.

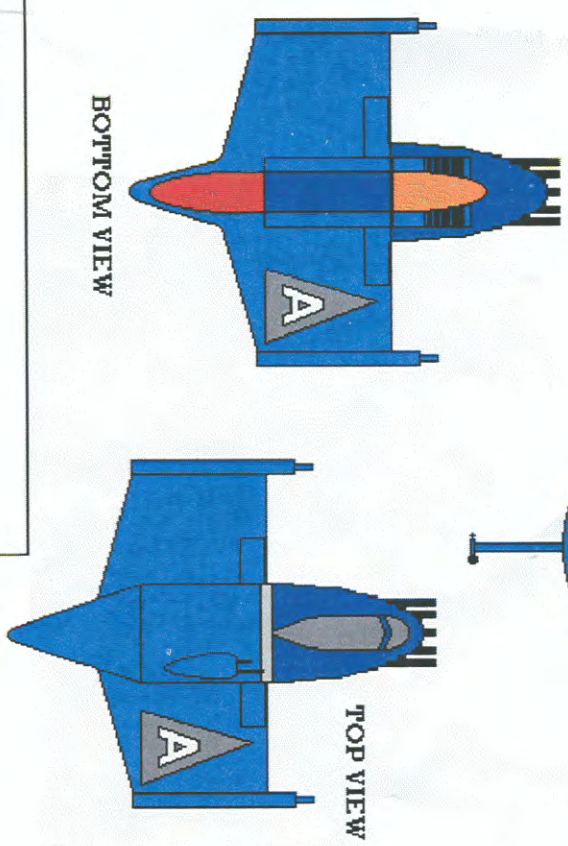
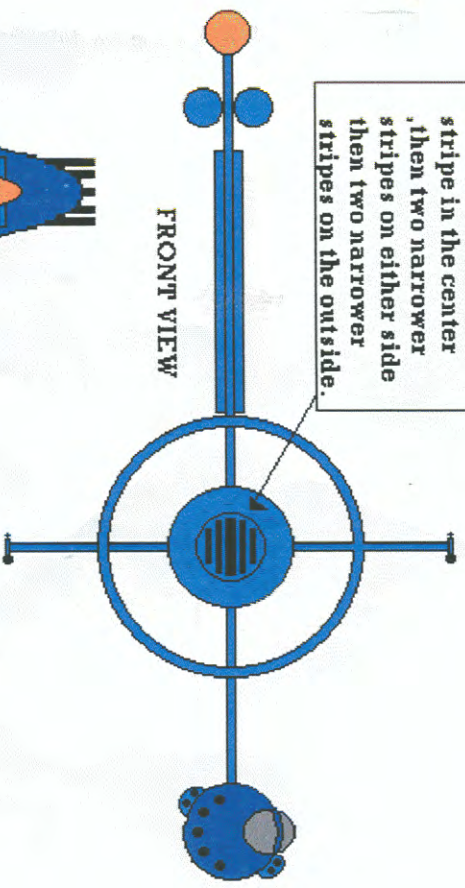
## 9. Flight Boom Placement



1. Paint your Banshee as desired. Our testbeds were painted in two-tone (green as seen on the box placard and blue as shown here).
2. When dry, mask off canopy and paint it black (canopy frame is optional).



**BLACK PINSTRIPES**  
Using the excess black pinstripe, lay out the intake using a wide stripe in the center, then two narrower stripes on either side then two narrower stripes on the outside.



Open hinges

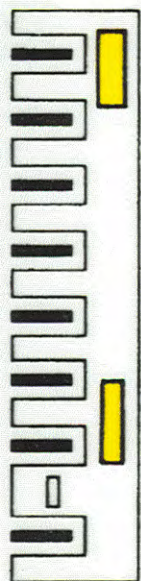
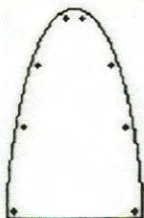
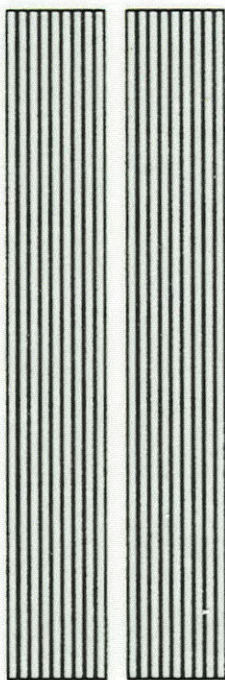
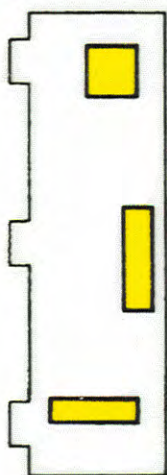
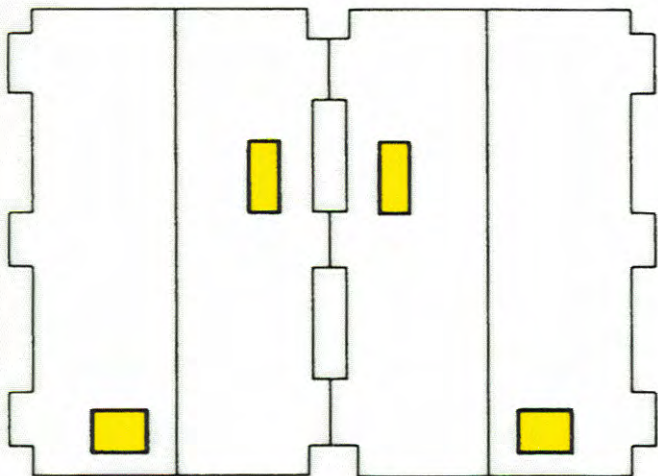
Closed hinges

Cut double door sticker as shown.

Apply a strip of the thin black pinstripe above the gun pod as shown.

Apply the door sticker with the open side against the black stripe.







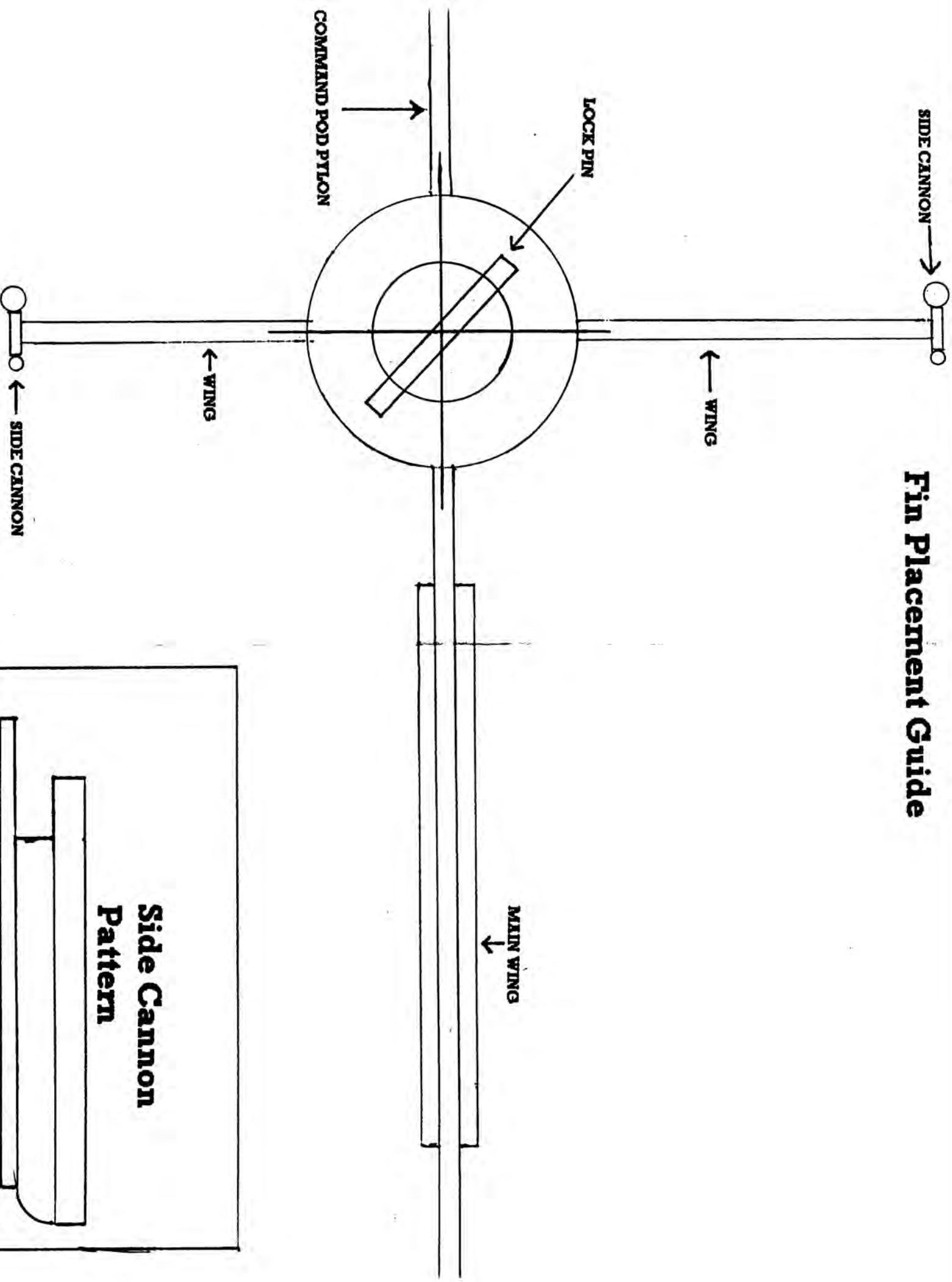


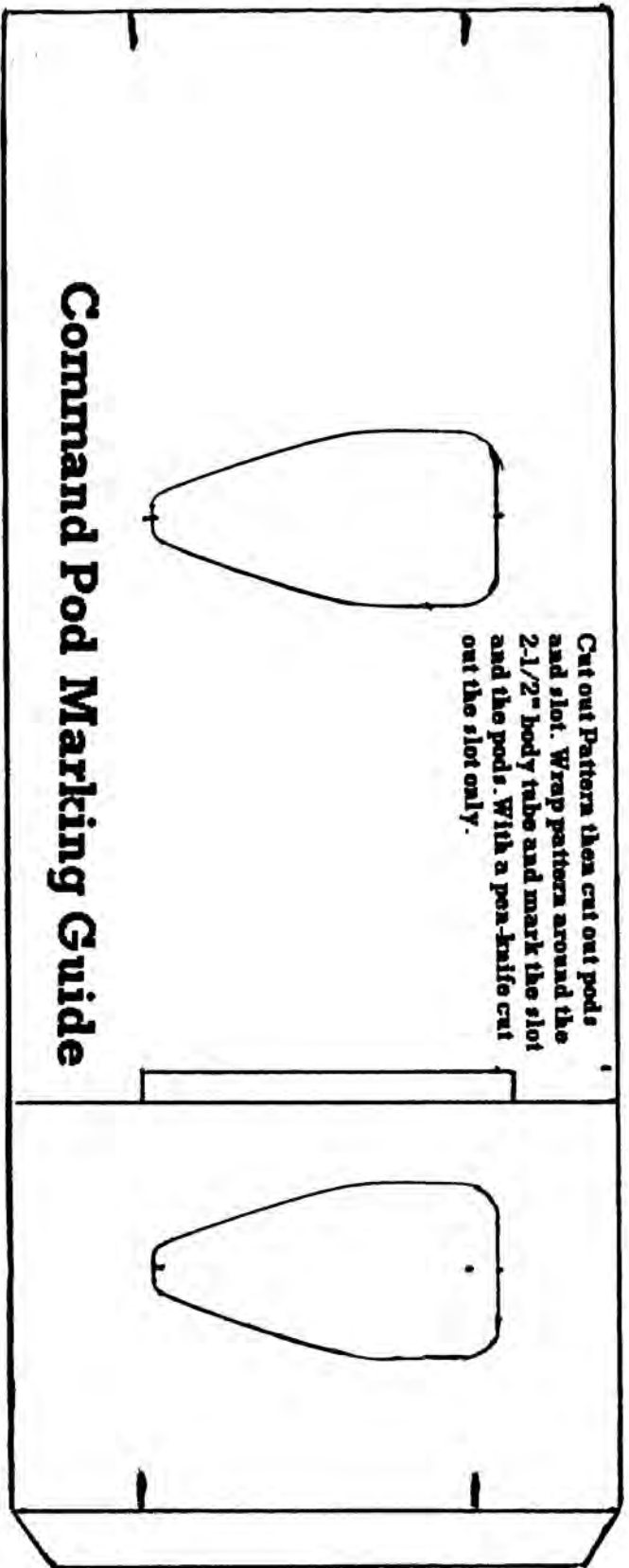






# Fin Placement Guide





Cut out Pattern then cut out pods and slot. Wrap pattern around the 2-1/2" body tube and mark the slot and the pods. With a pen-knife cut out the slot only.

### Command Pod Marking Guide

### Sensor Pod Marking Guide

Cut out pattern, then cut out the slot. Wrap the pattern around the 1" body tube and mark the slot. With a pen-knife, cut out the slot.

