

# Limited Edition

# **OVATION 35**

## FLYING MODEL ROCKET



### ENGINES:

1/2 A6-2, A8-3,  
A8-5, B4-4, B4-6,  
B6-4, B6-6, B8-5,  
C6-5, C6-7

### LENGTH:

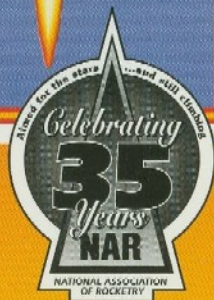
15" (38.1cm)

### DIAMETER:


0.736" (1.87cm)

### WEIGHT:

0.5" oz (14.29g)



Produced and Donated by

 **CUSTOM**

PRODUCT # NAR 0035

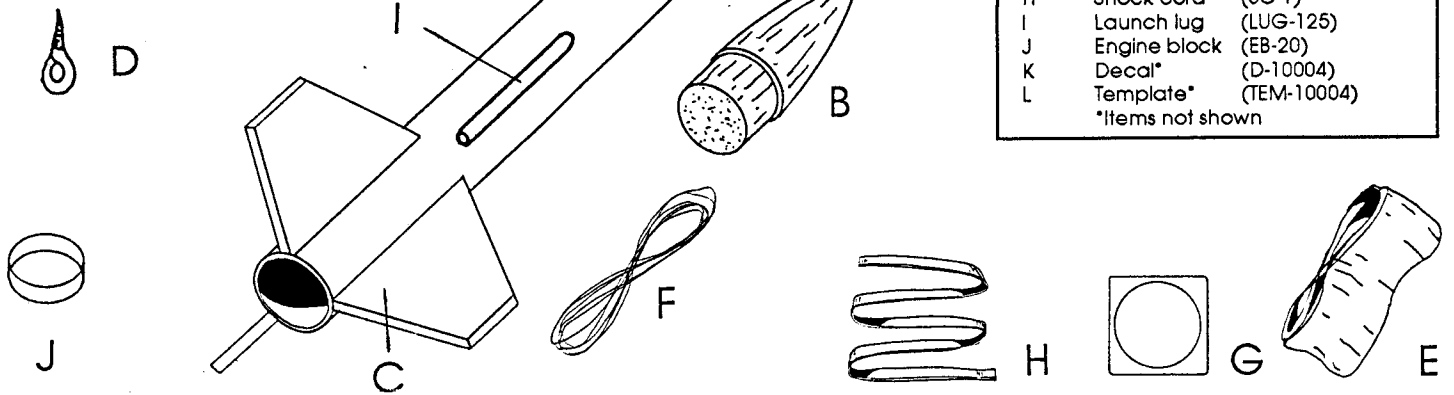
# Ovation

INSTRUCTIONS

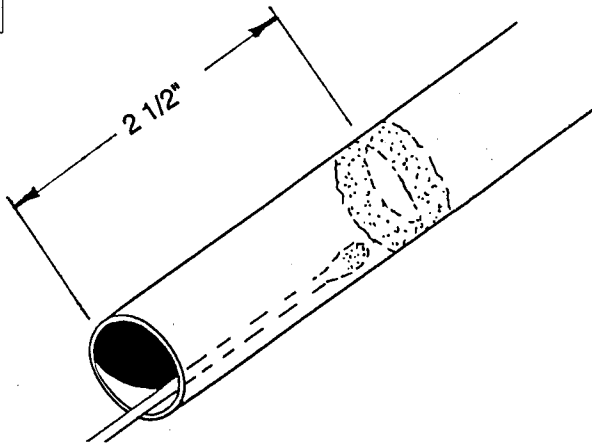
© 1993 Custom Rocket Company

|   |              |                 |
|---|--------------|-----------------|
| A | Body tube    | (MT-209)        |
| B | Nose cone    | (BC-20)         |
| C | Balsa        | (BAL-10004)     |
| D | Screw eye    | (SE-2)          |
| E | Streamer     | (Streamer10004) |
| F | Shroud lines | (SL-12)         |
| G | Tape disk    | (TD-1)          |
| H | Shock cord   | (SC-1)          |
| I | Launch lug   | (LUG-125)       |
| J | Engine block | (EB-20)         |
| K | Decal*       | (D-10004)       |
| L | Template*    | (TEM-10004)     |

\*Items not shown

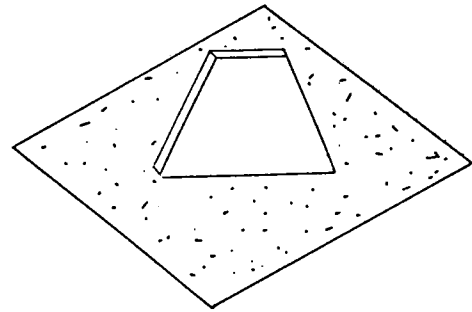


1



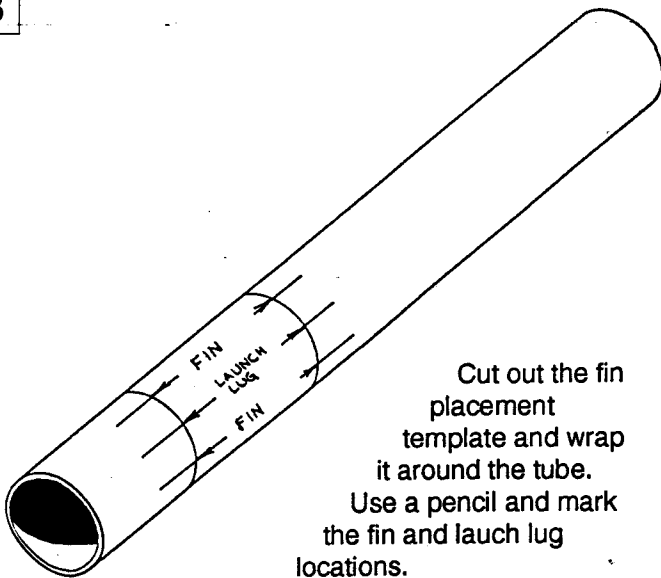
Apply glue with a Q-tip to the inside of the body tube 2 1/2" from the end. Use a used engine (not included) to push the engine block so it meets the glue. Push the engine block until 1/4" of the engine is still showing, and then quickly pull the engine out.

2



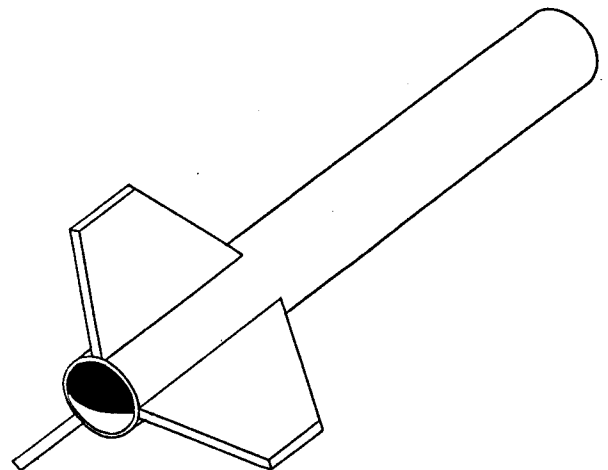
Cut and sand the balsa with fine sandpaper.

3



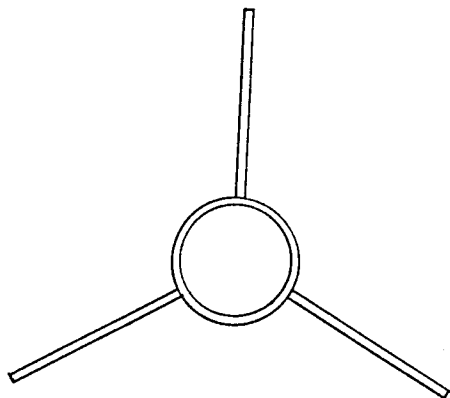
Cut out the fin placement template and wrap it around the tube. Use a pencil and mark the fin and launch lug locations.

4



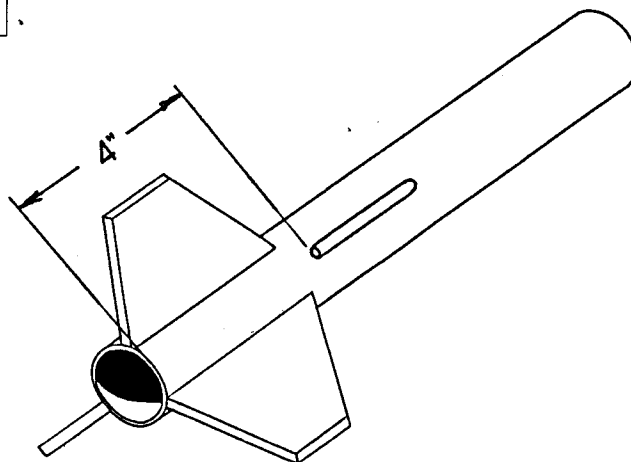
Glue on the fins with one at a time with white glue. Wait for each fin to dry before applying the next fin.

5



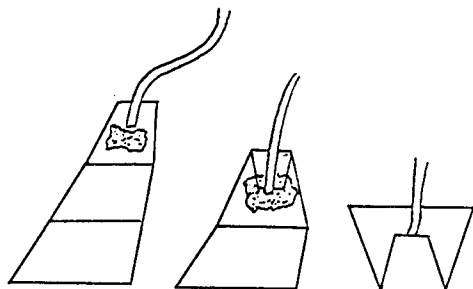
This is how the end view should look.

6



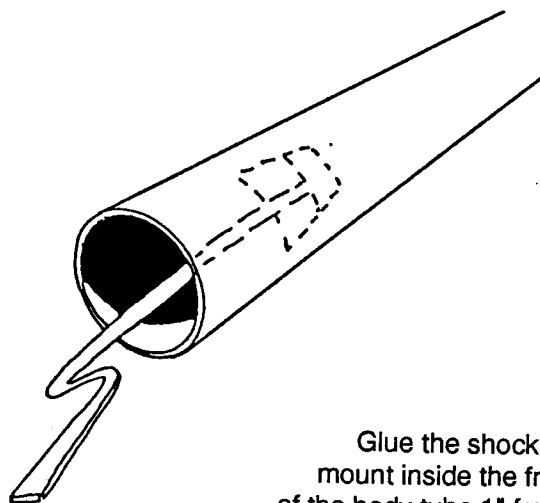
Glue the launch lug 4" from the end

7



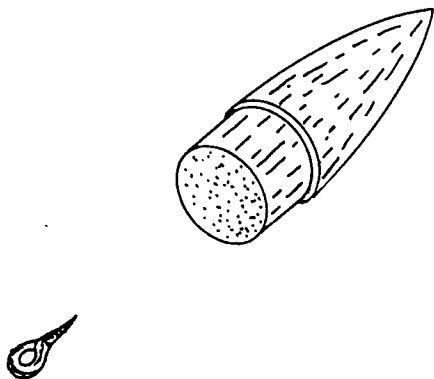
A. Cut out the shock cord mount & apply glue to section 1. Lay the end of the shock cord into the glue.  
 B. Fold section 1 at fold line and squeeze with your fingers.  
 C. Apply glue to the back of section 1 and fold to section 3. Put complete assembly under a heavy object.

8



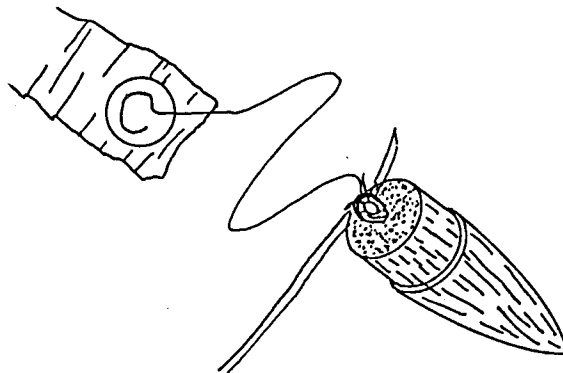
Glue the shock cord mount inside the front of the body tube 1" from the end. Hold the mount until it dries.

9



Insert the screw eye into the nose cone.

10



Tie the end of the shock cord to the screw eye. Tape the end of the shroud line to the streamer and tie the other end of the shroud line to the screw eye.



RECOMMENDED FOR AGES TEN THRU ADULT. THIS HOBBY KIT REQUIRES ASSEMBLY. PAINT, GLUE AND ENGINES ARE NOT INCLUDED.

# National Association of Rocketry

POST OFFICE BOX 177 ALTOONA, WI 54720

NAR is a national non-profit organization run by rocketeers for rocketeers. Keep in mind the numerous ways that your own NAR membership enriches your personal enjoyment of sport rocketry:

**American SpaceModeling Magazine** - the premier consumer rocketry publication, filled with plans, photos, and articles from NAR modelers around the country, and carrying a complete listing of all NAR-affiliated launches, competitions, and conventions held anywhere in the country!

**You can fly** with your local NAR Section, or have us assist you in starting a brand new local club of your own!

**Optional NAR liability insurance** that covers you to \$5,000,000 while flying your rockets in accordance with the NAR Safety Codes. This is the type of insurance being demanded by more and more land owners, school departments, and local governments before they will allow you to launch from their properties, and it's available at low cost only from the NAR!

## NAR MEMBERSHIP APPLICATION



**NATIONAL ASSOCIATION OF ROCKETRY**  
POST OFFICE BOX 177 ALTOONA, WI 54720

DATE OF BIRTH: Month: \_\_\_\_\_ Day: \_\_\_\_\_ Year: \_\_\_\_\_

AMOUNT ENCLOSED: \$ \_\_\_\_\_ Date: \_\_\_\_\_

Name: \_\_\_\_\_

Address: \_\_\_\_\_ Phone: \_\_\_\_\_

City: \_\_\_\_\_ State: \_\_\_\_\_ Zip: \_\_\_\_\_

**MEMBERSHIP CATEGORY:** (Check only one)

**Junior Membership** (Under 16 as of Jan. 1st)  **Leader Membership** (Under 21 as of Jan. 1st)  **Senior Membership** (21 or over as of Jan. 1st)  
\$15.00 \$15.00 \$25.00

**FAI Stamp (optional service)**  
(For team programs and international records)  
\$22.00 (added to membership fee)

RENEWING MEMBERS:  
**DEDUCT \$1.00 FROM**  
MEMBERSHIP PRICE

New  Family Membership  Teacher Packet  Renewal #: \_\_\_\_\_  
 Section #: \_\_\_\_\_

One Magazine per family. One family member must join at full price. Deduct \$8.00 from member category for family membership.

Rights, privileges and responsibilities of membership begin upon acceptance of this application by the NAR. Prices and services subject to change without notice.

The NAR is the official non-profit national organization for model rocketry. The NAR establishes safety rules, certifies records, publishes technical literature, sponsors contests, certifies engines and promotes model rocketry.

I pledge to conduct all my model rocketry activities in compliance with the NAR/HIA Safety Code.

Signature (required): \_\_\_\_\_

MAIL YOUR COMPLETED MEMBERSHIP FORM TO:

**National Association of Rocketry**  
POST OFFICE BOX 177 ALTOONA, WI 54720

COUPON COUPON COUPON COUPON COUPON COUPON COUPON COUPON COUPON

**FREE! FULL COLOR CUSTOM ROCKET CATALOG!**

Your Name: \_\_\_\_\_ Address: \_\_\_\_\_ Phone: \_\_\_\_\_  
City: \_\_\_\_\_ State: \_\_\_\_\_ Zip: \_\_\_\_\_

Mail this COUPON to:  
**CUSTOM ROCKET COMPANY**  
P.O. BOX 2086  
DEPT. 8270  
AUGUSTA, MAINE 04338-2086

COUPON COUPON COUPON COUPON COUPON COUPON COUPON COUPON COUPON

DAY  
1993

W T F S  
JANUARY  
1 2  
6 7 8 9  
13 14 15 16  
20 21 22 23  
27 28 29 30

FEBRUARY  
3 4 5 6  
10 11 12 13  
17 18 19 20  
24 25 26 27

MARCH  
3 4 5 6  
10 11 12 13  
17 18 19 20  
24 25 26 27  
31

APRIL  
1 2 3  
7 8 9 10  
14 15 16 17  
21 22 23 24  
28 29 30

MAY  
1  
5 6 7 8  
12 13 14 15  
19 20 21 22  
26 27 28 29

JUNE  
2 3 4 5  
9 10 11 12  
16 17 18 19  
23 24 25 26  
30

JULY  
1 2 3  
7 8 9 10  
14 15 16 17  
21 22 23 24  
28 29 30 31

AUGUST  
4 5 6 7  
11 12 13 14  
18 19 20 21  
25 26 27 28

SEPTEMBER  
1 2 3 4  
8 9 10 11  
15 16 17 18  
22 23 24 25  
29 30

OCTOBER  
1 2  
6 7 8 9  
13 14 15 16  
20 21 22 23  
27 28 29 30

NOVEMBER  
3 4 5 6  
10 11 12 13  
17 18 19 20  
24 25 26 27

DECEMBER  
1 2 3 4  
8 9 10 11  
15 16 17 18  
22 23 24 25  
29 30 31

1  
2  
3  
4  
5  
6  
7  
8

# ANNIVERSARY 35

